

SAMURAI®



PORTABLEND

*Please refer to the warranty section for terms of your extended guarantee

Contents**Page No.**

2	Contents
3	Reading and storing the user manual
3	Important safety instructions for proper use
6	Explanation of symbols
7	Description of parts
7	Preparing for use
8	Charging your Portablend
8	Using your Portablend
9	Storage tub
9	Battery life during use
9	Care and maintenance
10	Cleaning tips
10	To store
10	Technical specification
10	Customer support
11	Recycling information
Back Page	Warranty information

READING AND STORING THE USER MANUAL



Before using this product, please read through this manual carefully paying particular attention to the safety instructions. Failure to do so may result in personal injury or damage to the product.

Carefully save this instruction manual for future reference. Ensure the user manual is included when passing the product on to any third parties.

IMPORTANT SAFETY INSTRUCTIONS FOR PROPER USE

When using electrical appliances, basic safety precautions should always be followed.

- Read and familiarise yourself with all operating instructions before using this Portablend.
- Before plugging your unit into the mains, visually check that it is intact and has not suffered any transit damage.
- Check that the voltage indicated on the data plate corresponds with that of the local network before connecting the appliance to the mains power supply.
- Do not use this product with a programmer, timer, separate remote-control system or any other such device.
- Do not immerse this appliance in water or any other liquids.
- Close supervision is required when using this appliance near children.
- Never leave this appliance within reach of children.
- This appliance shall not be used by children from 0 to 8 years.
- This appliance can be used by children aged from 8 years and above and persons with reduced physical, sensory or mental capabilities or lack of experience and knowledge if they have been given supervision or instruction concerning use of the appliance in a safe way and understand the hazards involved.
- Children shall not play with the appliance.
- Keep the appliance and its USB charging cable out of reach

-
- of children less than 8 years.
- Cleaning and user maintenance shall not be made by children.
 - Do not leave the appliance unattended during use.
 - Do not leave the appliance unattended whilst connected to the mains supply.
 - Always use this appliance on a solid, level, non-flammable surface.
 - It is imperative to unplug the USB power cord after the appliance has been used, before it is cleaned and whilst being repaired.
 - Regular, periodic checks should be carried out on the supply cord to ensure no damage is evident. Should there be any signs of damage the appliance should not be used.
 - If the USB power cable is damaged it is to be replaced by a qualified person in order to avoid a hazard.
 - Do not operate this appliance with a damaged plug or cord, after a malfunction or after being dropped or damaged in any way.
 - Do not allow the mains cable to hang over sharp edges or come in contact with hot surfaces.
 - This appliance is intended for household use only and should not be used for industrial purposes.
 - Do not use any accessories or attachments with this appliance other than those supplied or recommended by supplier.
 - Do not use this appliance for anything other than its intended use.
 - Do not push objects into any openings as damage to the appliance and/or electric shock may occur.
 - **CAUTION:** The blade assembly is sharp, handle with care. When handling the blade assembly always hold by the base.
 - **DO NOT ATTEMPT TO SHARPEN THE BLADES**
 - **DO NOT** use the appliance if the blade assembly is bent or
-

damaged.

- To avoid the risk of injury or damage never place the blade assembly onto the base without the proper attachment.
- Only use attachments and accessories intended for use with this product.
- Do not remove the blender bottle from the motor base while the motor is running.
- **CAUTION: DO NOT PROCESS HOT FOODS OR LIQUIDS.**
- **DO NOT** overfill
- **DO NOT** operate the appliance while it is empty.
- If the appliance overheats a thermal switch will activate and shut off the motor. To reset, unplug the appliance and allow it to cool for 30 minutes before using again.
- This product is intended for household use only. Do not use this appliance for anything other than its intended use.
- **WARNING:** Exercise caution when attaching or removing attachments from the Portablend and ensure the appliance is turned off and unplugged whilst fitting attachments.
- **NOTE:** The Portablend should not be used for more than 30 second intervals.
- **CAUTION:** Always remove the USB cable from the Portablend before use.

Explanation of Symbols

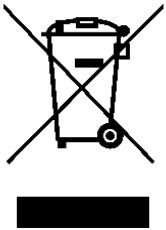
The following warning symbols or words are used in this instruction manual:



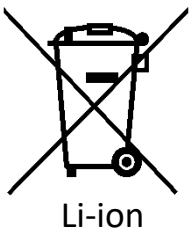
Products labelled with UK Conformity Assessment identifies products conforming to UK statutory requirements.



Products labelled with this symbol conform to applicable provisions of the European Economic Area.



You should now recycle your waste electrical goods and in doing so help the environment. This symbol means waste electrical products at the end of their useful life should not be disposed of with normal household waste and not sent to landfill. Please ensure it is taken to a suitable facility for disposal. Check with your Local Authority or retailer for recycling advice or visit www.recycle-more.co.uk or www.weeeireland.ie enter your postcode to find out your nearest recycling site.

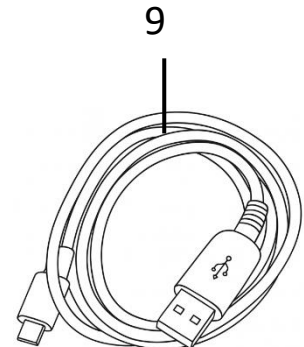
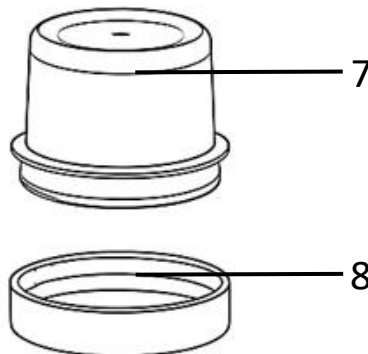
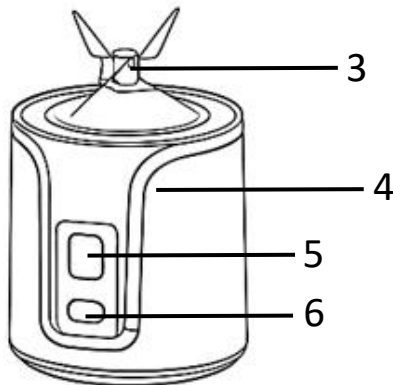
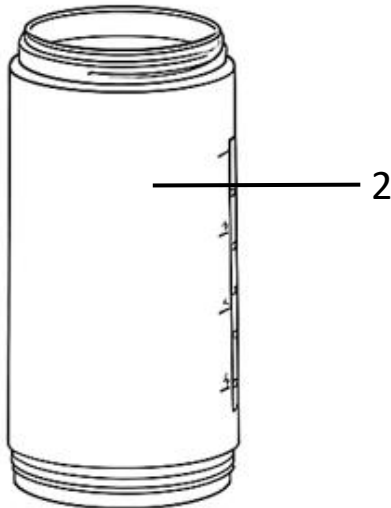
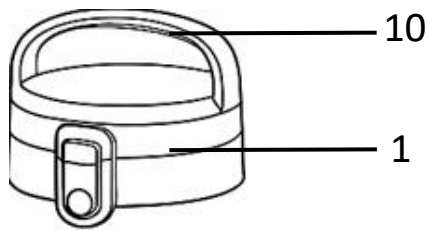


This symbol means batteries and rechargeable batteries may not be disposed of with household waste! As the end user you are required by law to bring all batteries and rechargeable batteries to a collection point run by the Local Authority or to a retailer, so that they can be disposed of in an environmentally friendly manner.



This designates a hazard with moderate risk, which may result in severe injury if not adhered to.

Description of Parts



1. Bottle Flip Lid (with lock)
2. Blending Bottle (400ml)
3. Blade Assembly
4. Motor Housing
5. On/Off Button
6. USB Charging Port
7. Storage Tub
8. Storage Tub Lid
9. USB Charging Cable
10. Carry Handle

Preparing For Use

- Carefully unpack the motor housing unit and all parts. Remove any tape, labels or packaging materials.
- Wash all product attachments carefully except for the motor housing unit with warm, soapy water. Rinse and dry thoroughly.
- Wipe exterior surfaces of the motor housing with a soft, damp cloth to remove dust particles collected during packing and handling.

NEVER IMMERSIVE THE MOTOR HOUSING, USB CHARGING CABLE IN WATER OR ANY OTHER LIQUID.

- Ensure all parts are properly assembled and in place before use.

Charging Your Portablend

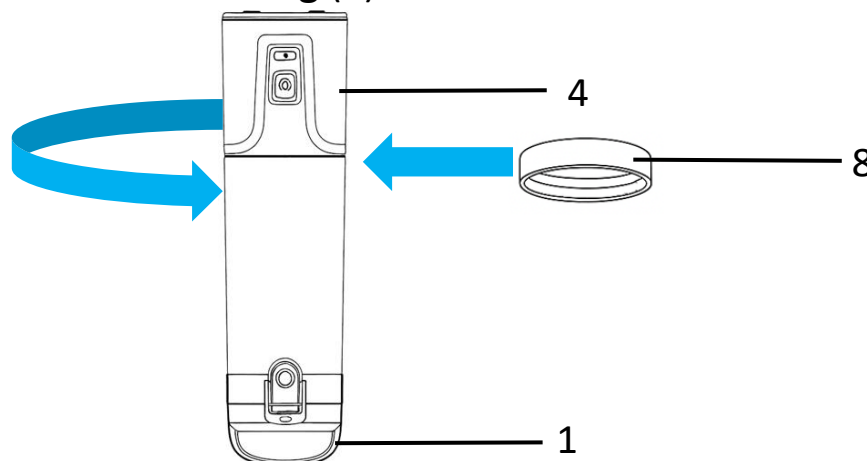
1. Open the **USB Charging Port (6)** on the **Motor Housing Unit (4)**. Attach the micro end of **USB Charging Cable (9)** to the motor housing.
 2. Attach the USB connector to a suitable 2amp fast charge supply.
 3. The **On/Off button (5)** will illuminate blue and will flash pink while charging and will stop flashing pink once the unit is fully charged.
 4. It will take approximately 3-4 hours to fully charge the unit.
- NB:** The unit is shipped with approximately 30% charge in the batteries. It is recommended to fully charge before first use for best performance.

Using Your Portablend

1. Place the **Motor Housing (4)** on a stable surface. Attach the **Blending Bottle (2)** onto the **Motor Housing (4)** by turning clockwise. Tighten until the black arrow on the blending bottle is in line with the white arrow on motor housing.
2. Put food ingredients into the **Blending Bottle (2)**, it is recommended to cut into 1cm x 1cm pieces.

⚠ WARNING! THE PORTABLEND CAN OPERATE WITHOUT THE BOTTLE FLIP LID IN PLACE. BLADES ARE SHARP, CARE MUST BE TAKEN WHEN HANDLING.

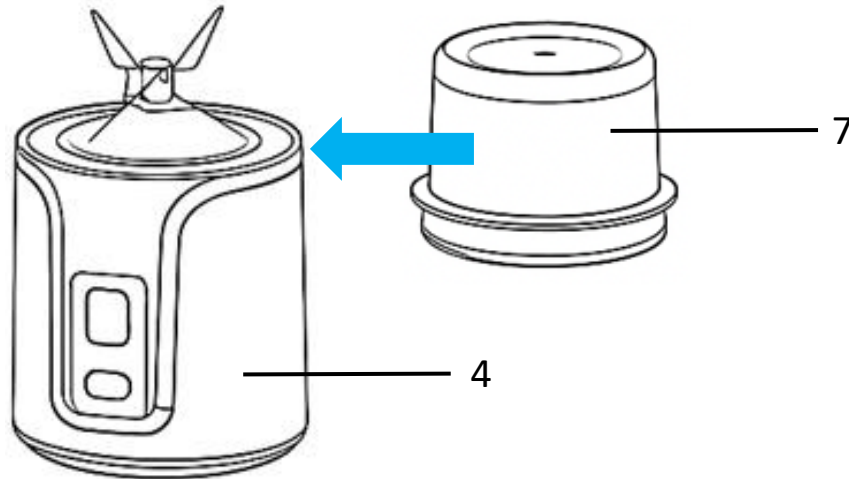
3. Place the **Bottle Flip Lid (1)** onto the **Blending Bottle (2)**, turn clockwise and tighten.
4. To start blending double click the **On/Off Button (5)** on the front of the **Motor Housing (4)**. If food gets lodged in the **Blade Assembly (3)**, shake gently until the food is dislodged.
5. To stop blending press the **On/Off Button (5)** once.
6. **After 30 seconds of continuous use the Portablend will automatically stop. This is to protect the Portablend from over-heating. Allow a short resting time before resuming use.**
7. After blending the **Motor Housing (4)** can be removed and replaced with the **Storage Tub Lid (8)**, allowing for easy transportation of the blender bottle if needed. To remove the **Motor Housing (4)** from the **Blending Bottle (2)**, make sure the **Bottle Flip Lid (1)** is closed and locked, turn the Portablend upside down and turn the **Motor Housing (4)** anti-clockwise.



1. Place the **Storage Tub Lid (8)** onto the **Blending Bottle (2)** turn clockwise and tighten.

Storage Tub

The storage tub can be used to carry foods/protein powder for 'on the go fresh smoothies' or 'protein shakes'. The base of the **Storage Tub (7)** can be used as a protective blade cover on the **Motor Housing (4)**.



Battery Life During Use:

As the Portableblender is used the battery begins to drain during performance. The **On/Off button (5)** will gradually turn pink until the battery runs out when the indicator light will flash red. The battery life is approximately 12 cycles of 30 seconds depending on the foods blended.

Do not expose a battery pack or appliance to fire or excessive heat. Exposure to fire or temperatures above 130°C may cause an explosion.

Care and Maintenance

CAUTION: Unplug the **USB Charging Cable (9)** from the Portableblender before cleaning.

- Wash the attachments in warm soapy water and dry thoroughly.
- Clean the outside of the motor housing with a clean damp cloth. Never clean with harsh or abrasive cleaners.
- Rinse the blades under running water and dry thoroughly.

Do not submerge the Motor Housing Unit in water or any other liquids.

⚠ WARNING! Blades are sharp, care must be taken when handling.

⚠ WARNING! DO NOT CLEAN ANY PART OF YOUR PORTABLEBLENDER IN A DISHWASHER. WASH IN WARM SOAPY WATER AND DRY THOROUGHLY.

Cleaning Tips

- To ease washing it is advised to rinse parts immediately after blending.
- Use a small brush (not supplied) to remove particles lodged in the motor housing.

To Store:

Be sure all parts are clean and dry before storing. Never store it while it is wet. Store in a dry area in an ambient temperature of 5°C - 35°C.

Technical Specification

Model no.	SDA2918
Battery	2000mAh Li-Ion
Rated Power	120W

Customer Support

Should you require any product information, replacement parts or accessories, please contact our customer care team on 0161 831 7879 (8.30am-4.30pm Monday to Thursday, 8.00am-4.00pm Friday) and select option 3 or by contacting us via email:

help@daewooelectricals.com.

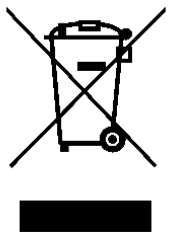
- Replacement parts and accessories are guaranteed for 1 year from the date of purchase.
- It is important to note that your warranty becomes invalid should non Daewoo parts or accessories be used with this appliance.

Recycling Information

Disposal of the Packaging

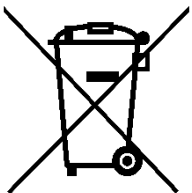
Dispose of paper and cardboard in appropriate paper re-cycling facilities.
Dispose of recyclable plastics in appropriate plastic re-cycling facilities.
Dispose of non-recyclable plastics in the appropriate plastics collection service.

Disposal of the Product



You should now recycle your waste electrical goods and in doing so help the environment. This symbol means waste electrical products at the end of their useful life should not be disposed of with normal household waste and not sent to landfill. Please ensure it is taken to a suitable facility for disposal. Check with your Local Authority or retailer for recycling advice or visit www.recycle-more.co.uk or www.weeeireland.ie enter your postcode to find out your nearest recycling site.

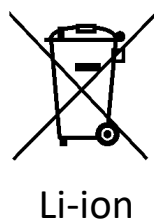
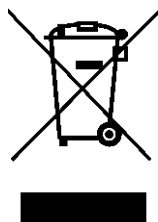
Disposal of the Battery



Li-ion

This symbol means batteries and rechargeable batteries may not be disposed of with household waste!
As the end user you are required by law to bring all batteries and rechargeable batteries to a collection point run by the Local Authority or to a retailer, so that they can be disposed of in an environmentally friendly manner.

UK
CA



Li-ion



DAEWOO®

WARRANTY

Thank you for purchasing your USB Portablend

As part of our commitment to quality, we are offering you an extra 2 years warranty in addition to your 1 year guarantee

Your Daewoo product is guaranteed for 1 year from the date of original purchase, with proof of purchase or receipt. If any defect should occur due to faulty workmanship or material, your faulty vacuum should be returned to the place of purchase, replacement or refund is at the discretion of the retailer.

The guarantee is subject to the following provisions:

- The product must be correctly installed and operated in accordance with the requirements contained in the instruction manual.
- The product must be used solely for domestic purposes.
- It does not cover general wear and tear, damage, misuse or any consumable parts.
- The guarantee will be rendered invalid if the product is re-sold or has been damaged through inexpert repair.
- The guarantee is only valid within the UK and Eire.

Your standard 1 year guarantee will only be extended to the maximum available for your individual product upon registration. (Note: products must be registered individually and covers the main body and housing). If you do not register your product within 28 days of the original purchase date, your product will only be guaranteed for 1 year.

To validate your extended 2 year warranty please register your purchase online within 28 days of the original purchase date by registering at:*

<https://help.daewooelectricals.com>

or

[Contact Us \(daewooelectricals.com\)](https://www.daewooelectricals.com)

*Your extended warranty is only valid with proof of purchase receipt and subject to the conditions outlined above.

Daewoo is a registered trademark.
Produced and imported under licence by
Eurosonic Group Limited
Brightgate House
1 Brightgate Way
Manchester M32 0TB UK
EU Rep: EuroSonic Magppie (ESM) Ltd. Ireland D05 X006
www.esgltd.com