



DAEWOO®



*Please refer to the warranty section for terms of your extended guarantee



20L 800W MICROWAVE

Contents

Page No.

2	Contents
3	Reading and Storing the User Manual
3-6	Important Safety Instructions for Proper Use
7	Installation
8	Explanation of Symbols
9	Description of Parts
10	Description of Control Panel
11	Setting the Clock
11	Using Your Microwave Oven
12	Quick Start
12	Delayed Start Cooking
12	Defrosting Tips
13	Defrosting
13	Multi-stage Cooking
14	Auto Menu Function
15	Extending the Cooking Time During Use
15	Child Lock
15	Utensils guide
16	Cooking Tips
16-17	Cleaning and Maintenance
18	Technical Specifications
18	Recycling information
19	Customer Support
Back Page	Warranty Information

READING AND STORING THE USER MANUAL



Before using this product, please read through this manual carefully paying particular attention to the safety instructions. Failure to do so may result in personal injury or damage to the product.


Carefully save this instruction manual for future reference. Ensure the user manual is included when passing the product on to any third parties.

IMPORTANT SAFETY INSTRUCTIONS FOR PROPER USE


When using electrical appliances, basic safety precautions should always be followed.

Only use the product as described in this user manual. Any other use is considered improper and may result in damage to property or persons. The manufacturer or vendor cannot be held liable for damages or injury incurred through improper or incorrect use.


- **Read and familiarise yourself with all operating instructions before using this Microwave Oven.**
- Before plugging your unit into the mains, visually check that the unit is intact and has not suffered any transit damage.
- Check that the voltage indicated on the data plate corresponds with that of the local network before connecting the appliance to the mains power supply.
- Close supervision is required when using this appliance near children.
- This appliance can be used by children aged from 8 years and above and persons with reduced physical, sensory or mental capabilities or lack of experience and knowledge if they have been given supervision or instruction concerning use of the appliance in a safe way and understand the hazards involved. Children shall not play with the appliance. Cleaning and user maintenance shall not be made by children unless they are older than 8 and supervised.
- Keep the appliance and its cord out of reach of children less than 8 years.

- **DO NOT** touch hot surfaces. The outer surfaces are liable to get hot during use. Always use the handles and knobs. 
- **DO NOT** immerse the appliance or its cord in water or any other liquids.
- **DO NOT** leave the appliance unattended during use.
- **DO NOT** leave the appliance unattended whilst connected to the mains supply.
- Always use this appliance on a solid, level, non-flammable surface.
- **DO NOT** use this appliance outdoors.
- **DO NOT** use this Microwave Oven with a programmer, timer, separate remote-control system or any other device that switches the appliance on automatically.
- It is imperative to unplug the power cord after the appliance has been used, before it is cleaned and whilst being repaired.
- Repairs to electrical appliances should only be performed by qualified personnel. Improper repairs may place user at serious risk.
- **DO NOT** operate this appliance with a damaged plug or cord, after a malfunction or after being dropped or damaged in any way.
- Regular, periodic checks should be carried out on the mains cable to ensure no damage is evident. Should there be any signs of damage the appliance should not be used.
- If the power cable is damaged, it should only be replaced by suitable qualified personnel in order to avoid a hazard.
- **DO NOT** allow the mains cable to hang over sharp edges or come in contact with hot surfaces.
- **DO NOT** run the mains cable under carpets, rugs, etc.
- Allow the unit to cool before storage.
- Before cleaning, disconnect the appliance from the mains supply and allow to cool.
- This appliance is intended for household use only and

should not be used for industrial purposes.

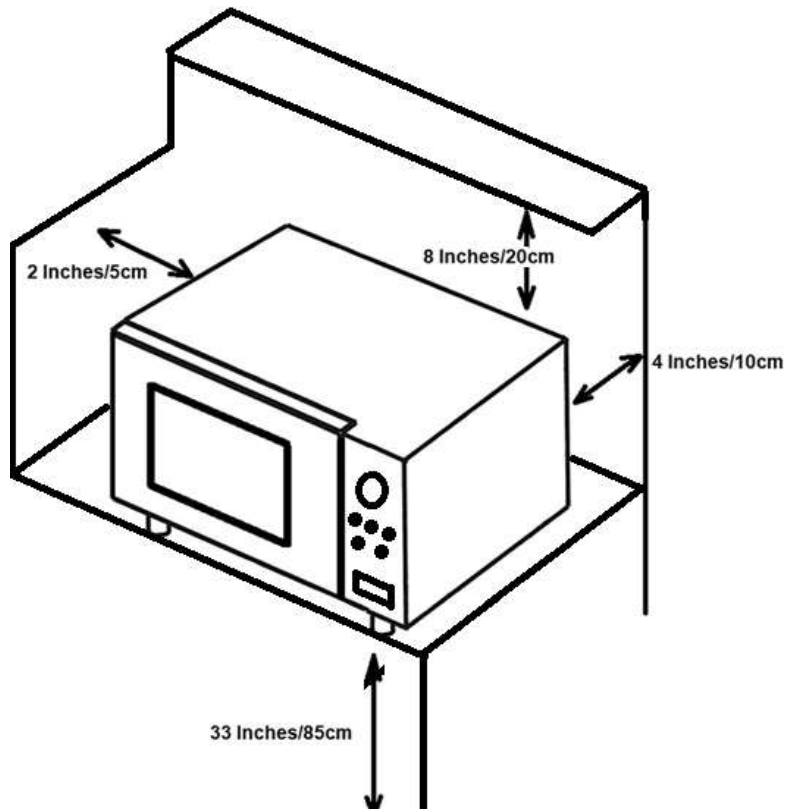
- **DO NOT** use any accessories or attachments with this appliance other than those supplied or recommended by supplier.
- **DO NOT** use this appliance for anything other than its intended use.
- **DO NOT** push objects into any openings as damage to the appliance and/or electric shock may occur.
- Ensure appliance is situated in an open area, do not allow it to come in contact with Cupboards, Curtains, wall coverings, clothing or other flammable materials.
- Unplug after each use. Grasp the plug, not the cord.
- **CAUTION** Do not overcook food.
- Metallic containers for food and beverages are not allowed during microwave cooking.
- When heating food in plastic containers or paper containers, keep an eye on the oven due to the possibility of ignition.
- The contents of feeding bottles and baby food jars shall be stirred or shaken and the temperature checked before consumption, in order to avoid burns.
- This appliance shall not be cleaned with a steam cleaner.
- The microwave oven is intended to be used free-standing.
- **DO NOT** place this microwave into a cabinet.
- **CAUTION** Remove wire twists from paper and plastic bags before placing in the oven.
- **DO NOT** heat oil or fat for deep frying in the oven as the temperature of the fat can't be controlled.
- After use wipe the waveguide cover with a damp cloth, followed by a dry cloth to remove any food splashes and grease. Built up grease may overheat and smoke or ignite.
- If materials inside the oven smoke or ignite, keep the door closed, turn oven off and disconnect the power supply in order to stifle any flames.
-  **WARNING!** Liquids and other foods must not be

heated in sealed containers since they are liable to explode; Baby bottles fitted with a screw cap or teat are considered sealed containers.

- Liquids should be heated in a wide mouthed container and left for a short period after the heating cycle to avoid possible hazards such as delayed eruptive boiling of the liquid. Therefore, care must be taken when handling the container.
- Potatoes, sausage and other skinned foods should be pierced before heating.
- Eggs in their shell and whole hard-boiled eggs should not be heated in microwave ovens since they may explode, even after microwave heating has ended.
- Only use utensils suitable for use in a microwave oven.
- **DO NOT** store food or other items in the oven.
- **DO NOT** operate the oven without any food or liquid inside, this may damage the oven.
-  **WARNING!** If the door or door seals are damaged or if the oven has malfunctioned, the oven must not be operated until it has been repaired by a competent person. It is hazardous for anybody other than a suitably qualified person to carry out any service or repair that involves the removal of a cover which gives protection against exposure to microwave energy.
- This microwave oven is intended for the heating of food and beverages. The drying of clothes, heating of warming pads slippers, sponges and cloths may lead to risk of injury, ignition and fire.
- The oven should be cleaned regularly and any food deposit removed.
- Failure to maintain the oven in a clean condition could lead to deterioration of the surface that could adversely affect the life of the appliance and possibly result in a hazardous situation.

Installation

- Select a level surface no less than 85cm (33 inches) from the floor, that provides enough space for the outlet vents.
- A minimum clearance of 5cm (2 inches) is required between the oven and any adjacent wall, with a minimum clearance of 10cm (4 inches) between the rear of the microwave and the wall.
- Leave a minimum clearance of 20cm (8 inches) above the oven



Explanation of Symbols

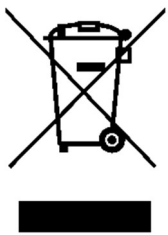
The following warning symbols or words are used in this instruction manual:



Products labelled with UK Conformity Assessment identifies products conforming to UK statutory requirements.



Products labelled with this symbol conform to applicable provisions of the European Economic Area.



You should now recycle your waste electrical goods and in doing so help the environment. This symbol means waste electrical products at the end of their useful life should not be disposed of with normal household waste and not sent to landfill. Please ensure it is taken to a suitable facility for disposal. Check with your Local Authority or retailer for recycling advice or visit www.recycle-more.co.uk or www.weeeireland.ie, enter your postcode to find out your nearest recycling site.



This symbol provides useful additional information on the use of this product.



This symbol indicates that the supply uses an alternating current mains supply.



This symbol indicates that the surface gets hot and care must be taken.



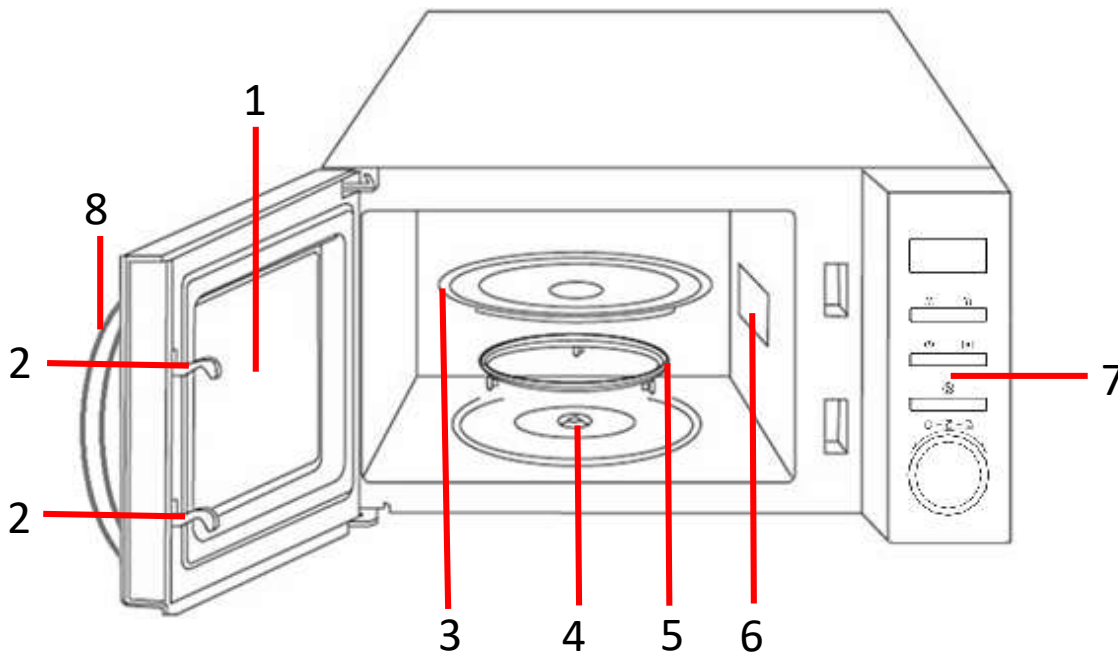
This designates a hazard with moderate risk, which may result in severe injury if not adhered to.

Before First Use of Your Microwave

Remove all packing materials and discard responsibly.

Before using the Microwave for the first time, wash all the attachments in warm soapy water and dry thoroughly afterwards. Do not immerse the Microwave in water or any other liquids.

Description of Parts



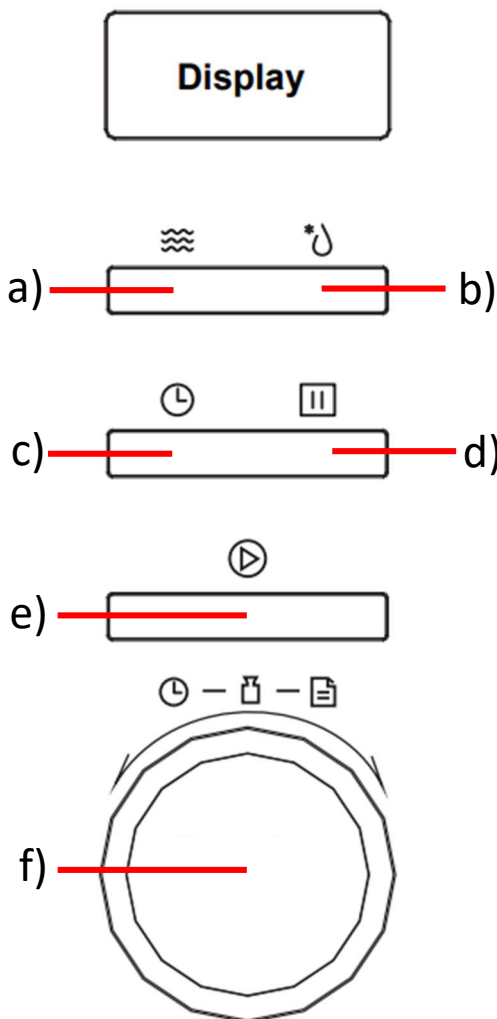
1. Door Viewing Window
2. Door catches/Lock
3. Glass Turntable
4. Motor Spindle
5. Turntable Ring
6. Waveguide Cover
7. Control Panel
8. Handle

i *The door must be fully closed in order for the Microwave to operate. The door operates a safety interlock mechanism which prevents the unit from operating whilst the door is open.*









The waveguide cover (6) should never be removed.

Description of Parts – Control Panel



Power Level	Display
100%	P100
80%	P80
50%	P50
30%	P30
10%	P10

Button Symbol	Output
	a) Microwave
	b) Defrost
	c) Clock / Preset
	d) Stop / Clear
	e) Start / Confirm
	f) Function Dial

The door of the microwave oven must be fully closed in order for it to operate, this is due to a safety interlock between the locking mechanism and the control panel.

Place the turntable ring in first, fit the turntable onto the rotating turntable support and make sure it is geared in properly

Never remove the waveguide cover

Make sure the turntable support is correctly located

Setting The Clock

- Fully unwind the cable, plug in and switch on. The microwave will emit a single beep and the display will show 0:00.
- Press the **Clock / Preset (c)** button (the hour digit will flash) and turn the **Function Dial (f)** until the correct hour is displayed.
- Press the **Clock / Preset (c)** button again (the minute digits will flash) and turn the **Function Knob (f)** until the correct minute is displayed.
- Press the **Clock / Preset (c)** button again to save the setting.

Using Your Microwave Oven

- Place the Microwave Oven on a solid level, heat resistant surface, ensure that the ventilation outlets are not obstructed.
- Before first use open the door by pulling the **Handle (8)**, ensuring the Microwave cannot slide forwards.
- Place the **Turntable Ring (5)** on the base of the oven as shown in the diagram above.
- Place the **Glass Turntable (3)** onto the **Motor Spindle (4)**. Rotate the **Glass Turntable (3)** a little until the notches drop onto the **Motor Spindle (4)**.
- Insert the mains plug into the nearest socket.
- Place the food to be cooked (in a suitable **non-metallic** container) onto the **Glass Turntable (3)**.
- Push the Door closed.
- Press the **Microwave (a)** button, and the power level flashes on the display. Turn the **Function Dial (f)** to select the power level of choice (see '**Power levels**' table for details).
- Press the **Start / Confirm (e)** button to save the setting and turn the **Function Dial (f)** until the required cooking time is displayed (5 seconds to 95 minutes).
- Press the **Start / Confirm (e)** button. A beep can be heard, the microwave will start to cook and the timer will start to count down.

- ❗ Cooking can be interrupted to stir the contents or check cooking progress by opening the door. Settings will be retained and cooking will restart when the door is closed and the **Start / Confirm (e)** button is pressed.
- ❗ After the cooking time has finished, five beeps will sound and the microwave will turn off automatically.
- ❗ The oven can be stopped at any time by pressing the **Stop / Clear (d)** button, or by opening the door. Pressing the **Stop / Clear (d)** button twice will clear settings and stop the cooking programme.
- ❗ To check the time during oven operation, press the **Clock / Preset (d)** button and the time will briefly be displayed before returning to the countdown timer.
- ❗ To check the power level during operation, press the **Microwave (d)** button and the time will briefly be displayed before returning to the countdown timer.

Quick Start

To use the Quick start function

- Place the food to be cooked (in a suitable **non-metallic** container) onto the **Glass Turntable (3)**.
- Close the Door closed.
- Press the **Start / Confirm (e)** button to cook on full power for 30 seconds. Each successive press of the button will increase the cooking time by 30 seconds. The microwave will start to cooking and the timer will start to count down as normal.

Delayed Start Cooking

This function allows the oven start time to be set up to 24 hours in advance of the time shown on the clock.

- Place the food to be cooked in a suitable microwave safe container, place into the oven and close the door.
- Set the cooking program of your choice (except express and the defrost functions) but do not press the **Start / Confirm (e)** button.
- Press the **Clock / Preset (c)** button (the hour digit will flash) and turn the **Function Dial (f)** until the correct starting hour is displayed.
- Press the **Clock / Preset (c)** button again (the minute digits will flash) and turn the **Function Dial (f)** until the correct starting minute is displayed.
- Press the **Start / Confirm (e)** button to complete the setup.
- Two beeps can be heard when the programmed start time is reached and cooking will start automatically. DO NOT press the **Start / Confirm (e)** button.
- **i** After programming, if you wish to check the time that the microwave will start at, press the **Clock / Preset (c)** button and the programmed start time will be briefly displayed before returning to the clock.

Defrosting tips

Microwaves penetrate approximately 4cm into most foods, to maximise defrosting effects, the following is advised:

- For thick and chunky foods, turn the food regularly during operation in order to obtain uniform thawing.
- If food is over 2.0kg it is advised to turn it a minimum of two times.
- Do not refreeze food once defrosted.
- The following table provides a guide to defrost times for various foods:

Food Type	Weight Range	Defrost Time
Meat	100g - 1000g	1 min 30 seconds - 26 minutes
Poultry	200g - 1000g	2 mins 30 seconds - 22 minutes
Seafood	100g - 900g	1 min 30 seconds - 14 minutes



The above table is for guidance only, ensure food is thoroughly defrosted before cooking.

Defrosting

Defrosting by Weight

- Weigh the item to be defrosted and place in a suitable microwave safe container. Open the door and position the container in the centre of the glass turntable. Securely close the microwave door.
- Press the **Defrost** (b) button and the display will show dEF1,
- Enter the weight of the item (100 - 2000g) by the turning the **Function Dial** (f) until the corresponding weight is displayed in grams.
- Press the **Start / Confirm** (e) button. The microwave will start to defrost and the timer will count down.
- After the cooking time has finished, five beeps will sound and the microwave will turn off automatically.

Defrosting by Time

- Place the item to be defrosted in a suitable microwave safe container. Open the door and position the container in the centre of the glass turntable. Securely close the microwave door.
- Press the **Defrost** (b) button TWICE and the display will show dEF2.
- Enter the defrost time (maximum 95 minutes) using the **Function Dial** (f).
- Press the **Start / Confirm** (e) button. The microwave will start to defrost and the timer will count down.
- After the cooking time has finished, five beeps will sound and the microwave will turn off automatically.

Multi-Stage Cooking

The microwave can be programmed to carry out up to two consecutive functions. For example, if you wish to defrost food for 5 minutes and then cook at 80% power for 7 minutes.

- Place the item to be defrosted in a suitable microwave safe container. Open the door and position the container in the centre of the glass turntable. Securely close the microwave door.
- Press the **Defrost** (b) button twice (dEF2 will appear on the display), now turn the **Function Dial** (f) to select the time (e.g. 5:00 minutes).
- Press the **Microwave** (a) button and turn the **Function Dial** (f) to select the power level (e.g. P80).
- Press the **Start / Confirm** (e) button again to save the setting and enter the cooking time (e.g. 7 minutes) by turning the **Function Dial** (f) again.
- Press the **Start / Confirm** (e) button, the microwave will start to defrost immediately and then work through the cooking sequence. A beep can be heard at the end of each stage.
- Cooking can be interrupted at any time to stir the contents or to check the cooking progress by opening the door. Settings will be retained and cooking will restart when the door is closed and the **Start / Confirm** (e) button is pressed.

- After the cooking time has finished, five beeps will sound and the microwave will turn off automatically.
Note Defrost function (time or weight) can only be programmed at the start of this function.

Auto Menu Function

The oven has a pre-programmed cooking menu that can be used immediately from start up just by turning the **Function Dial (f)** clockwise.

- Place the item to be cooked in a suitable microwave safe container. Open the door and position the container in the centre of the glass turntable. Securely close the microwave door.
- Turn the **Function Dial (f)** to the clockwise to enter the auto cooking programme menu (see table below). Continue to rotate the **Function Dial (f)** until you are happy with your selection.
- Press the **Start / Confirm (e)** button to save the setting.
- Turn the **Function Dial (f)** again to now select the weight / or volume corresponding to the item being cooked.
- Press the **Function Dial (f)** button. The microwave will start to cook and the timer will start to count down from the preset time.
- After the cooking time has finished, five beeps will sound.

Display	Food Type	Weight/Quantity
A-1	Reheat	200g 400g 600g
A-2	Vegetables	200g 300g 400g
A-3	Fish	250g 350g 450g
A-4	Meat	250g 350g 450g
A-5	Pasta	50g 100g
A-6	Potato	200g 400g 600g
A-7	Pizza	200g 400g
A-8	Soup	200ml 400ml

Extending The Cooking Time During Use

If additional cooking time is required during operation at any of the cooking modes (except weight defrost and auto cook modes) press the **Start / Confirm** (e) button to extend the cooking time by 30 seconds. Each successive press of the button will extend the cooking time by 30 seconds.

Child Lock

This function helps prevent accidental operation during cleaning or unsupervised operation of the oven by children.

- To activate the lock Press and hold the **Stop / Clear** (d) button until the display shows [- -] (approx. 3 seconds), a single long beep can be heard.
- To deactivate the lock Press and hold the **Stop / Clear** (d) button until a single long beep can be heard (approx. 3 seconds).

Utensils Guideline

It is recommended that only utensils and containers marked safe for microwave use should be used in this microwave oven. As a general rule a container made from heat resistant ceramic, glass or plastic are suitable for microwave cooking. Never use metal containers for microwave cooking.

Material	Microwave	Comments
Heat resistant ceramic	Yes	Do not use ceramics that have a gilt or metal rim
Heat resistant plastic	Yes	Should not be used for extended cooking times
Heat resistant glass	Yes	
Plastic film	Yes	Should not be used cooking meats as the higher temperatures may damage the film
Grill rack	No	Metal items must <u>not</u> be used in the microwave oven.
Metal containers	No	Metal items must <u>not</u> be used in the microwave oven.
Lacquer	No	Poor heat resistance
Bamboo, wood, paper	No	Poor heat resistance and risk of ignition

Cooking tips

- Place thicker pieces towards outside of food container, the thinner pieces towards the centre and spread evenly. Do not overlap if possible.
- Start cooking with a shorter time setting, evaluate it after the time finishes and extend the cooking time if needed. Over cooking can result in smoke and burnt food.
- Food such as chicken, burgers or steak should be turned once during cooking.
- Depending on the food type, if applicable stir from the outside inwards to the centre of the dish once or twice during cooking.
- Make sure meat is cooked thoroughly there should be no signs of pink in the meat or in the meat juices.

Cleaning and Maintenance

Remove the plug from the wall socket before cleaning.

DO NOT immerse the appliance in water or any other liquids whilst cleaning.

- Wipe the exterior with clean soft damp cloth and dry thoroughly.
- Using a clean soft damp cloth, wipe clean the interior of the door and door seals, interior cavity to remove any spills or spatter and dry thoroughly.
- Do not remove the waveguide cover. Wipe clean the wave guide cover making sure it is free from food residue, this is located on the cavity wall on the right hand side.
- Wash the glass turntable, the turntable ring support in warm soapy water and dry thoroughly.

Some foods, for example fish can leave an odour which may linger, to refresh the cavity follow one of the 3 methods below:

Method 1 - Distilled Vinegar

1. Add 1 cup of water and 1/2 cup of distilled vinegar to a microwave proof bowl or plastic container and place in the centre of the oven.
2. Heat on high for 2 minutes 30 seconds or until the solution boils or gives off steam.
3. Leave to cool for 15 minutes before opening the door.
4. Open the door, remove the bowl and glass turntable, then wipe the microwave with a clean damp cloth.
5. Wipe the glass turntable before replacing.

Method 2 - Lemon

1. Cut a lemon in two and squeeze the lemon into a microwave proof bowl or plastic container, add 1 cup of water and place in the centre of the oven.
2. Heat on high for 2 minutes 30 seconds or until the solution boils or gives off steam.
3. Leave to cool for 15 minutes before opening the door.
4. Open the door, remove the bowl and glass turntable, then wipe the microwave with a clean, damp cloth.
5. Wipe the glass turntable before replacing.

Method 3 - Bicarbonate of soda

1. Add 1 cup of water and 2 tbsp bicarbonate soda to a microwave proof bowl or plastic container and place in the centre of the oven.
2. Heat on high for 2 minutes 30 seconds or until the solution boils or gives off steam.
3. Leave to cool for 15 minutes before opening the door.
4. Open the door, remove the bowl and glass turntable, then wipe the microwave with a clean, damp cloth.
5. Wipe the glass turntable before replacing.



The maximum time which can be set is 95 minutes. Never operate the microwave oven when empty.

- If you intend to remove or turn your food before the pre-set time has finished, you must open the door by pulling the **Handle** (8).



The above table is for guidance only, ensure food is thoroughly defrosted before cooking.

Servicing

Servicing and repairs should only be carried out by qualified service personnel.



Some components still retain a high voltage charge even when the microwave oven is disconnected from the mains supply, never remove Covers or Guards. Covers and Guards should only be removed by qualified personnel.

If any part of the oven or cord becomes damaged stop using it immediately and seek advice from qualified service personnel.

Non-Rewireable Mains Plug

If your appliance is supplied with a non-rewireable plug fitted to the mains lead and should the fuse needed replacing, you must use an ASTA approved one (conforming to BS 1362 of the same rating). Never use a plug with the fuse cover missing. If in doubt, consult a qualified electrician.

If you need to remove the plug -**DISCONNECT FROM THE MAINS**- and then cut it off the mains lead and immediately dispose of it safely. Never attempt to reuse the plug or insert it into a socket outlet as there is a danger of electric shock.

Technical Specification

Model Number	SDA2866
Rated Voltage	230-240V~ 50Hz
Rated power (input)	1200-1270W
Rated power (output)	750-800W
Microwave frequency	2450MHz
Protection Class	I (This Appliance Must Be Earthed)

Recycling Information

Disposal of the Packaging

Dispose of paper and cardboard in appropriate paper re-cycling facilities.

Dispose of recyclable plastics in appropriate plastic re-cycling facilities.

Dispose of non-recyclable plastics in the appropriate plastics collection service.

Disposal of the Product



You should now recycle your waste electrical goods and in doing so help the environment. This symbol means waste electrical products at the end of their useful life should not be disposed of with normal household waste and not sent to landfill. Please ensure it is taken to a suitable facility for disposal. Check with your Local Authority or retailer for recycling advice or visit www.recycle-more.co.uk or www.weeeireland.ie , enter your postcode to find out your nearest recycling site.

Customer Support

Should you require any product information, replacement parts or accessories, please contact our customer care team on 0161 831 7879 (8.30am-4.30pm Monday to Thursday, 8.00am-4.00pm Friday) and select option 3 or by contacting us via email: help@daewooelectricals.com.

- Replacement parts and accessories are guaranteed for 1 year from the date of purchase.
- It is important to note that your warranty becomes invalid should non Daewoo parts or accessories be used with this appliance.





DAEWOO®

WARRANTY

Thank you for purchasing your Daewoo product.

As part of our commitment to quality, we are offering you an extra 2 years warranty in addition to your 1 year guarantee

Your Daewoo product is guaranteed for 1 year from the date of original purchase, with proof of purchase or receipt. If any defect should occur due to faulty workmanship or material, your faulty product should be returned to the place of purchase, replacement or refund is at the discretion of the retailer.

The guarantee is subject to the following provisions:

- The product must be correctly installed and operated in accordance with the requirements contained in the instruction manual.
- The product must be used solely for domestic purposes.
- It does not cover general wear and tear, damage, misuse or any consumable parts.
- The guarantee will be rendered invalid if the product is re-sold or has been damaged through inexpert repair.
- The guarantee is only valid within the UK and Eire.

Your standard 1 year guarantee will only be extended to the maximum available for your individual product upon registration. (Note: products must be registered individually and covers the main body and housing). If you do not register your product within 28 days of the original purchase date, your product will only be guaranteed for 1 year.

To validate your extended 2 year warranty* please register your purchase online within 28 days of the original purchase date by registering at <https://help.daewooelectricals.com> or [Contact Us \(daewooelectricals.com\)](https://help.daewooelectricals.com)

****Your extended warranty is only valid with proof of purchase receipt and subject to the conditions outlined above.***

Daewoo® is a registered trademark.
Produced and imported under licence by
Eurosonic Group Limited
Brightgate House
1 Brightgate Way
Manchester M32 0TB UK
EU Rep: EuroSonic Magppie (ESM) Ltd. Ireland D05 X006
www.esgltd.com