



VERTI BLEND 500W BLENDER

Perfect for smoothies and much more



READING AND STORING THE USER MANUAL



Before using this product, please read through this manual carefully paying particular attention to the safety instructions. Failure to do so may result in personal injury or damage to the product.

Carefully save this instruction manual for future reference. Ensure the user manual is included when passing the product on to any third parties.

IMPORTANT SAFETY INSTRUCTIONS FOR PROPER USE

When using electrical appliances, basic safety precautions should always be followed.

Only use the product as described in this user manual. Any other use is considered improper and may result in damage to property or persons. The manufacturer or vendor cannot be held liable for damages or injury incurred through improper or incorrect use.

- **Read and familiarise yourself with all operating instructions before using this Blender.**
- Before plugging your unit into the mains supply, visually check that it is intact and has not suffered any transit damage.
- **DO NOT** use this product with a programmer, timer, separate remote-control system or any other device.
- Check that the voltage indicated on the data plate corresponds with that of the local network before connecting the appliance to the mains power supply.
- Do not use this product with a programmer, timer, separate remote-control system or any other such device.
- **Do not** immerse this appliance in water or any other liquids.
- Close supervision is required when using this appliance near children.
- Never leave this appliance within reach of children.
- This appliance shall not be used by children.
- Keep the appliance and its cable out of the reach of children.
- Appliances can be used by persons with reduced physical,

sensory or mental capabilities or lack of experience and knowledge if they have been given supervision or instruction concerning use of the appliance in a safe way and understand the hazards involved.

- Children shall not play with the appliance.
- Keep the appliance and its cable out of reach of children less than 8 years.
- Cleaning and user maintenance shall not be made by children.
- Do not leave the appliance unattended during use.
- Do not leave the appliance unattended whilst connected to the mains supply.
- Always use this appliance on a solid, level, non-flammable surface.
- Do not use this appliance outdoors.
- It is imperative to unplug the power cable after the appliance has been used, before it is cleaned and whilst being repaired.
- Regular, periodic checks should be carried out on the supply cable to ensure no damage is evident. Should there be any signs of damage the appliance should not be used.
- If the supply cable is damaged it is to be replaced by a qualified person in order to avoid a hazard.
- **DO NOT** operate this appliance with a damaged plug or cable, after a malfunction or after being dropped or damaged in any way.
- **DO NOT** allow the mains cable to hang over sharp edges or come in contact with hot surfaces.
- **DO NOT** use any accessories or attachments with this appliance other than those supplied or recommended by supplier.
- **DO NOT** use this appliance for anything other than its intended use.
- **DO NOT** push objects into any openings as damage to the appliance and/or electric shock may occur.

-
- **CAUTION:** The blade assembly is sharp, handle with care. When handling the blade assembly always hold by the base.
 - **DO NOT ATTEMPT TO SHARPEN THE BLADES**
 - **DO NOT** use the appliance if the blade assembly is bent or damaged.
 - To avoid the risk of injury or damage never place the blade assembly onto the base without the proper attachment.
 - **DO NOT** fill the drinking bottles past the '600ml' mark.
 - **DO NOT** operate the appliance whilst it is empty.
 - This appliance is intended for household use only and should not be used for industrial or commercial purposes.
 - Switch off the appliance and disconnect from the supply before changing accessories or approaching parts that move in use.
 - **CAUTION: DO NOT PROCESS HOT FOODS OR LIQUIDS.**

Explanation of Symbols

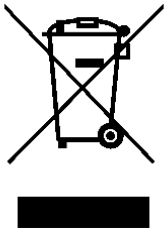
The following warning symbols or words are used in this instruction manual:



Products labelled with UK Conformity Assessment identifies products conforming to UK statutory requirements.



Products labelled with this symbol conform to applicable provisions of the European Economic Area.



You should now recycle your waste electrical goods and in doing so help the environment. This symbol means waste electrical products at the end of their useful life should not be disposed of with normal household waste and not sent to landfill. Please ensure it is taken to a suitable facility for disposal. Check with your Local Authority or retailer for recycling advice or visit www.recycle-more.co.uk enter your postcode to find out your nearest recycling site.



This symbol provides useful additional information on the use of this product.



This symbol indicates that the supply uses an alternating current mains supply.




This Class 2 symbol indicates that the product is electrically double insulated and does not require an earth connection.



This designates a hazard with moderate risk, which may result in severe injury if not adhered to.

Before first use of Your Blender

- Remove all packing materials and dispose of responsibly.
- Remove the accessories and wash in warm soapy water, rinse and dry thoroughly.
- Wipe over the motor unit with a damp sponge or cloth.
- Do not use harsh or abrasive cleaners.
- Do not clean any part of your blender in a dishwasher
- Never immerse the motor unit in water or any other liquids.

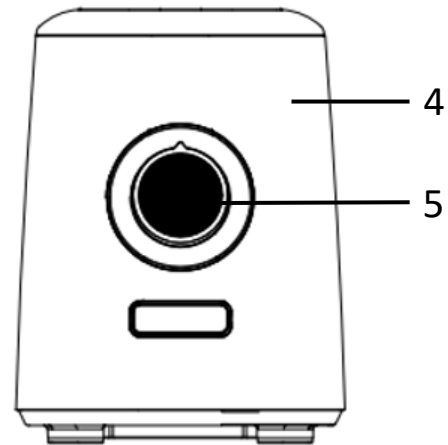
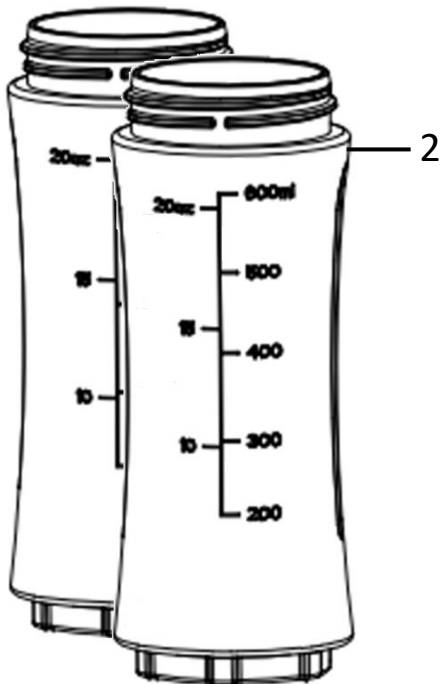
 **WARNING!** **DO NOT** operate the blender continuously for more than 60 seconds at a time (30 seconds for dry ingredients). Allow 180 seconds rest time before continuing to blend.

 **WARNING!** **DO NOT** use the blender to process hot foods or liquids.

 **i** Add a little water whilst blending fruit and vegetables.

Safety feature

This appliance has a built in safety feature to ensure that the appliance operates only when the bottle and the blade assembly are correctly placed on the base unit.

Description of parts

- 1. Blade Assembly
- 2. Drinking Bottle(x2)

- 3. Flip Top Lid (x2)
- 4. Base Unit
- 5. Speed Control

Using Your Blender

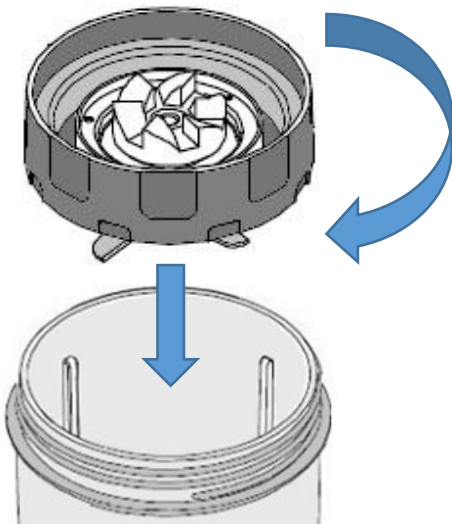
1 Filling Your Blender Bottle with Ingredients



Place the **Drinking Bottle (2)** on a flat surface with the open end facing up. Place all the ingredients into the **Drinking Bottle (2)**. For larger pieces, chop into smaller pieces before placing into the bottle.

i Ensure that the **Drinking bottle (2)** is not filled above the '600ml' mark.

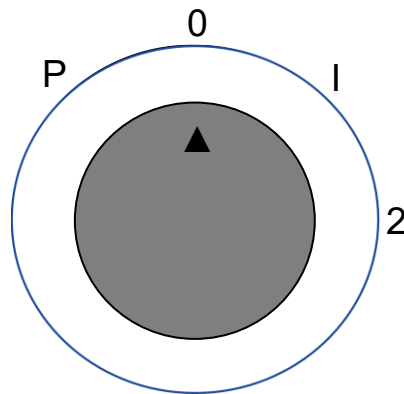
2 Attaching the blade assembly



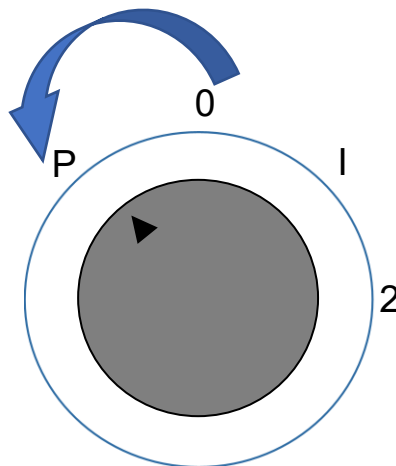
Place the **Blade Assembly (1)** onto the **Drinking Bottle (2)** (blade side down) and screw the **Blade Assembly (1)** clockwise until you have a good seal with the cup.

i Ensure that the **Blade Assembly (1)** is fully tightened onto the cup to prevent any possible leakage, also ensure that the **Blade Assembly (1)** is level and not cross threaded.

- Ensure the **Speed Control (5)** is in the '0' position and insert the mains plug into the socket (ensuring hands are dry):

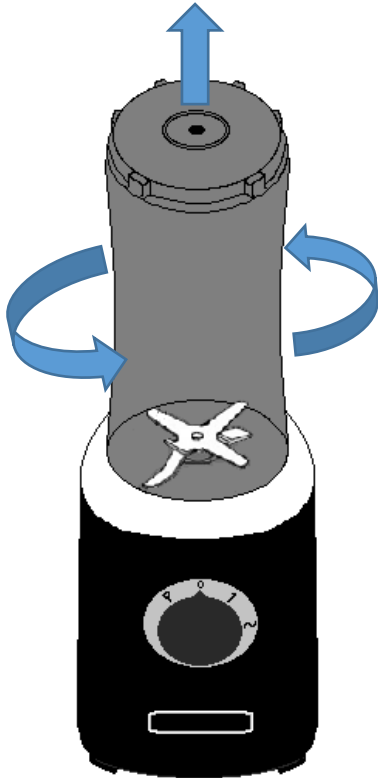


- Turn the **Speed Control (5)** to pulse 'P' for controlled blending.



- Rotate the **Speed Control (5)** clockwise for the speeds from 1 (low) to 2 (high). The speed can be changed at any time during the blending process. Ideally, start blending on speed 'P' and switch to speed '1' if necessary or '2' depending on the desired consistency.
- If you wish to add further ingredients during blending, switch off the blender by returning the **Speed Control (5)** to the '0' position and remove the mains plug.
- Hold the **Base Unit (4)**, grasp the **Drinking Bottle (2)** and rotate the Bottle anticlockwise. Lift the bottle upwards off the **Base Unit (4)**.
- Turn the **Drinking Bottle (2)** over and remove the **Blade assembly (1)** carefully before adding the ingredients.
- Once all the ingredients are blended, return the **Speed Control (5)** to the '0' position and remove the mains plug.
- A **Flip Top Lid (3)** can then be screwed clockwise, onto the **Drinking bottle (2)**

4 Removing the Cup after blending



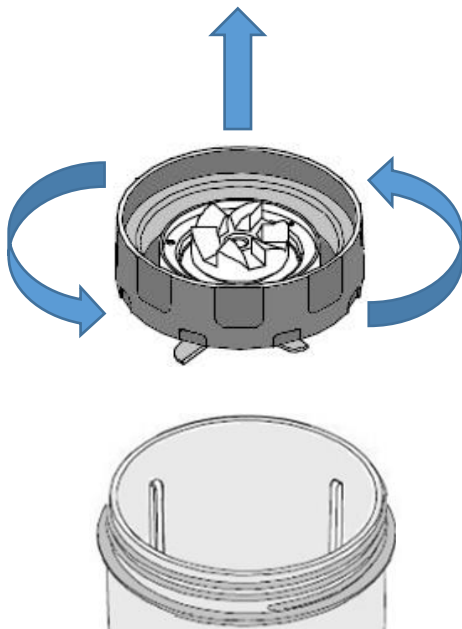
Stop the blender by rotating the **Speed Control** (5) to 0.

i The unit will now stop blending.

Hold the **Base Unit** (4) tightly, grasp the **Drinking Bottle** (2) and rotate the Bottle anticlockwise. Lift the bottle upwards off the **Base Unit** (4)

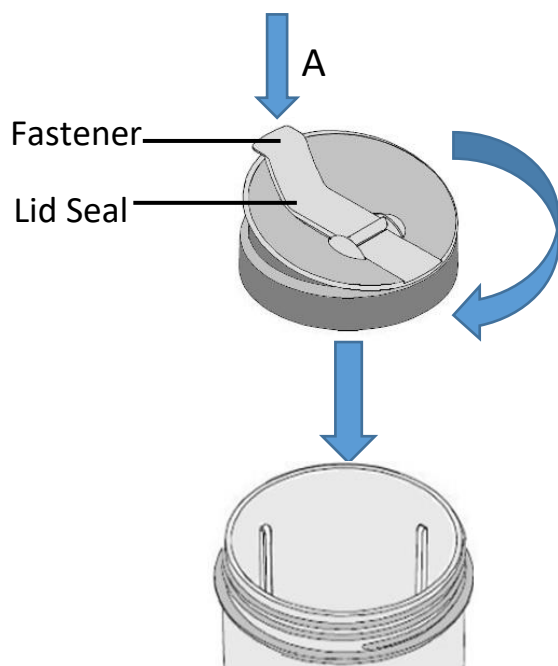
i If the ingredients have not blended evenly, remove the **Drinking Bottle** (2) from the **Base Unit** (4) and shake the cup to redistribute the ingredients and then repeat blending once more.

5 Serving your blended food



Unscrew the **Blade Assembly** (1), and remove it from the **Drinking Bottle** (2).

Using Your Flip Top Lid



Screw a **Flip Top Lid (3)** clockwise onto the top of either of the two **Drinking Bottles (2)** in order to drink the blended contents on the go.

Press the lid fastener fully down to seal the lid when not in use (arrowed 'A' left).

i The **Flip Top Lid (3)** is not leak proof, please keep the cup upright at all times.

i You can store previously blended drinks in the fridge for later. Just screw the **Flip Top Lid (3)** on clockwise until it is sealed and pop it into the fridge.

⚠ WARNING! DO NOT put the **Drinking Bottle (2)** into the freezer

Suggested uses of Your Blender

Use	Type of food
Nutrient juices/Smoothies	Fruit/Vegetables
Mixing	Batters and Dips
Sauces	Vinaigrettes Salad dressings Simple sauces
Frozen blending	Ice Frozen fruits Ice cream
Chopping	Nuts, Chocolate, Pepper, etc.

⚠ WARNING! To prevent the blender overheating, dry ingredients must not be processed for more than 30 seconds at a time.

⚠ WARNING! DO NOT use the blender to process hot foods or liquids.

i Add a little water whilst blending fruit and vegetables.

Care and Maintenance

CAUTION: Ensure the unit is unplugged from the mains power supply before cleaning.

- Do not immerse the **Base unit (4)**, its mains cable or mains plug in water or any other liquids.
- The **Drinking Bottles (2)**, **Flip Top Lids (3)** and **Blade Assembly (1)** can be hand washed in warm soapy water, when handwashing, use caution as the **Blade Assembly (1)** is sharp and may cause injury.
- To ease washing it is advised to rinse parts immediately after blending.
- Do not use scouring pads, harsh or abrasive or solvent based cleaning products.

⚠ WARNING! DO NOT CLEAN ANY PART OF YOUR BLENDER IN A DISHWASHER

Cleaning Tips

- To ease washing it is advised to rinse parts immediately after blending.
- Use a small brush (not supplied) to remove particles lodged beneath the blades. Care must be taken when cleaning the **Blade Assembly (1)** as they are sharp.
- To aid the removal of lodged food or food that has dried onto the **Drinking Bottles (2)** or **Blade Assembly (1)**, fill the **Drinking Bottles (2)** 2/3 full with warm soapy water and put through the blending cycle and repeat with clean water.

⚠ WARNING! DO NOT attempt to remove blades from the blade assembly for cleaning.

Troubleshooting

Problem	Possible Reason and Solution
Motor doesn't start or attachment doesn't rotate.	Ensure the bottle and blade assembly are correctly located into the base unit and turned fully clockwise
	The mains plug is not inserted into the socket or the socket is not switched on (if applicable)
Food is chopped unevenly.	The bottle may be overfilled - reduce the amount of ingredients below the '600ml' fill mark
	The ingredients may be stuck, - remove and shake the bottle to redistribute contents
Food is too finely chopped or watery.	The food has been over processed, for best results use short pulses
	Not enough ingredients and/or too much liquid
Cannot achieve 'snow' from ice cubes.	For best result use ice straight from the freezer. Try using short blends instead of one long one and a little water
Bottle is leaking.	Make sure the lid or blade assembly (as applicable) is properly attached to the bottle and the threads are not misaligned
Unit doesn't turn on	Make sure the unit is plugged in.

	Make sure the blade assembly is properly assembled to the cup and that is not misaligned
Doesn't blend well	Pulse ingredients for best results, for frozen foods, blend in 2 second intervals. Cut ingredients up prior to blending
Lid/blade assembly will not properly align to the bottle	Set the bottle on a level surface. Place the lid or blade assembly on top of the bottle and align the threads so that the blade assembly/flip top lid sit flat on the cup. Twist clockwise so that the flip top lid/blade assembly evenly align to the cup until you have a tight seal

Non-Wireable Mains Plug

If your appliance is supplied with a non-wireable plug fitted to the mains lead and should the fuse need replacing, you must use an ASTA approved one (conforming to BS 1362 of the same rating). Never use a plug with the fuse cover missing. If in doubt, consult a qualified electrician. If you need to remove the plug – DISCONNECT FROM THE MAINS – and then cut it off the mains lead and immediately dispose of it safely. Never attempt to reuse the plug or insert it into a socket outlet as there is a danger of electric shock.

Technical Specification

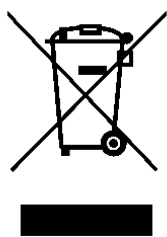
Product Code	SDA2783
Rated Voltage	220-240V AC ~ 50-60Hz
Rated Power	500W
Protection Class	II
Capacity	0.6 Litre
ErP: Power consumption of equipment in off mode shall not exceed 0.30W	
This equipment complies with Annex III of Commission Regulation (EU) 2023/826	

Recycling Information

Disposal of the Packaging

Dispose of paper and cardboard in appropriate paper re-cycling facilities.
Dispose of recyclable plastics in appropriate plastic re-cycling facilities.
Dispose of non-recyclable plastics in the appropriate plastics collection service.

Disposal of the Product

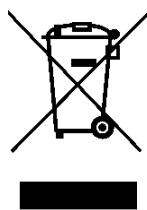
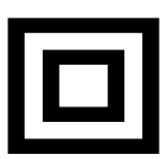


You should now recycle your waste electrical goods and in doing so help the environment. This symbol means waste electrical products at the end of their useful life should not be disposed of with normal household waste and not sent to landfill. Please ensure it is taken to a suitable facility for disposal. Check with your Local Authority or retailer for recycling advice or visit www.recycle-more.co.uk enter your postcode to find out your nearest recycling site.

Customer Support

Should you require any product information, replacement parts or accessories, please contact our customer care team on 0161 831 7879 (8.30am-4.30pm Monday to Thursday, 8.00am-4.00pm Friday) and select option 3 or by contacting us via email: help@daewooelectricals.com.

- Replacement parts and accessories are guaranteed for 1 year from the date of purchase.
- It is important to note that your warranty becomes invalid should non Daewoo parts or accessories be used with this appliance.





WARRANTY

Thank you for purchasing your Cordless Pro Bullet Blender

As part of our commitment to quality, we are offering you an extra 2 years warranty in addition to your 1 year guarantee

Your Daewoo product is guaranteed for 1 year from the date of original purchase, with proof of purchase or receipt. If any defect should occur due to faulty workmanship or material, your faulty vacuum should be returned to the place of purchase, replacement or refund is at the discretion of the retailer.

The guarantee is subject to the following provisions:

- The product must be correctly installed and operated in accordance with the requirements contained in the instruction manual.
- The product must be used solely for domestic purposes.
- It does not cover general wear and tear, damage, misuse or any consumable parts.
- The guarantee will be rendered invalid if the product is re-sold or has been damaged through inexpert repair.
- The guarantee is only valid within the UK and Eire.

Your standard 1 year guarantee will only be extended to the maximum available for your individual product upon registration. (Note: products must be registered individually and covers the main body and housing). If you do not register your product within 28 days of the original purchase date, your product will only be guaranteed for 1 year.

To validate your extended 2 year warranty please register your purchase online within 28 days of the original purchase date by registering at:*

<https://help.daewooelectricals.com>

or

[Contact Us \(daewooelectricals.com\)](https://www.daewooelectricals.com)

*Your extended warranty is only valid with proof of purchase receipt and subject to the conditions outlined above.

Daewoo is a registered trademark.
Produced and imported under licence by
Eurosonic Group Limited
Brightgate House
1 Brightgate Way
Manchester M32 0TB UK
EU Rep: EuroSonic Magppie (ESM) Ltd. Ireland D05 X006
www.esgltd.com
Made in China