



2000W ELECTRIC PATIO HEATER

Turn Cold Nights into Cozy Evenings



*Please refer to the warranty section for terms of your extended guarantee



READING AND STORING THE USER MANUAL



Before using this product, please read through this manual carefully paying particular attention to the safety instructions. Failure to do so may result in personal injury or damage to the product.

Carefully save this instruction manual for future reference. Ensure the user manual is included when passing the product on to any third parties.

IMPORTANT SAFETY INSTRUCTIONS FOR PROPER USE

When using electrical appliances, basic safety precautions should always be followed.

Only use the product as described in this user manual. Any other use is considered improper and may result in damage to property or persons. The manufacturer or vendor cannot be held liable for damages or injury incurred through improper or incorrect use.

- **Read and familiarise yourself with all operating instructions before using this Patio Heater.**
- Before plugging your unit into the mains, visually check that the unit is intact and has not suffered any transit damage.

⚠️ WARNING! In order to avoid overheating, **DO NOT COVER** the heater.

⚠️ WARNING! To reduce the risk of fire, keep textiles, curtains, or any other flammable material a minimum distance of 1m from the air outlet.

- **DO NOT** locate the appliance immediately below an electrical socket outlet.
- **DO NOT** use this heater with a programmer, timer, separate remote-control system or any other device that switches the heater on automatically, since a fire risk exists if the heater is covered or positioned incorrectly.
- **DO NOT** use this heater with an extension cable.
- Check that the voltage indicated on the data plate corresponds with that of the local network before connecting the appliance to the mains power supply.

- Close supervision is required when using this appliance near children.
- This appliance can be used by children aged from 8 years and above and persons with reduced physical, sensory or mental capabilities or lack of experience and knowledge if they have been given supervision or instruction concerning use of the appliance in a safe way and understand the hazards involved. Children shall not play with the appliance. Cleaning and user maintenance shall not be made by children without supervision.
- Children of less than 3 years should be kept away unless continuously supervised.
- Children aged from 3 years and less than 8 years shall only switch on/off the appliance provided that it has been placed or installed in its intended normal operating position and they have been given supervision or instruction concerning use of the appliance in a safe way and understand the hazards involved.
- Children aged from 3 years and less than 8 years shall not plug in, regulate and clean the appliance or perform user maintenance.

⚠ WARNING! Some parts of this product can become very hot and cause burns. Particular attention has to be given where children and vulnerable people are present.

- **DO NOT** use this heater in the immediate surroundings of a bath, a shower or a swimming pool.
- **DO NOT** use this heater in small rooms when they are occupied by persons not capable of leaving the room on their own, unless constant supervision is provided.
- **DO NOT** immerse the appliance or its cord in water or any other liquids.
- **DO NOT** leave the appliance unattended during use.
- **DO NOT** leave the appliance unattended whilst connected to the mains supply.

- Always use this appliance on a solid, level, heat resistant surface.
 - It is imperative to unplug the power cord after the appliance has been used, before it is cleaned and whilst being repaired.
 - Repairs to electrical appliances should only be performed by a qualified electrician. Improper repairs may place user at serious risk.
 - **DO NOT** operate this appliance with a damaged plug or cord, after a malfunction or after being dropped or damaged in any way.
 - Regular, periodic checks should be carried out on the mains cable to ensure no damage is evident. Should there be any signs of damage the appliance should not be used.
 - If the power cable is damaged, it should only be replaced by the manufacturer or a suitable qualified after-sales-service in order to avoid a hazard
 - **DO NOT** allow the mains cable to hang over sharp edges or come in contact with hot surfaces.
 - **DO NOT** run the mains cable under carpets, rugs, etc.
 - Allow the unit to cool before storage.
 - Before cleaning, disconnect the appliance from the mains supply and allow to cool.
 - Never place the appliance near to flammable material or high pressure containers. E.g. Paper, wood, petrol, solvents, spray canisters.
 - This appliance is intended for household use only and should not be used for industrial purposes.
 - **DO NOT** use any accessories or attachments with this appliance other than those supplied or recommended by supplier.
 - **DO NOT** use this appliance for anything other than its intended use.
 - **DO NOT** push objects into any openings as damage to the appliance and/or electric shock may occur.
-

- The appliance should not be installed in areas which have a fire-risk, such as garages, stables or wooden sheds; this is applicable also for rooms in which highly inflammable gasses or dust can develop. Danger of fire!!
- Unplug after each use. Grasp the plug, not the cord.


CAUTION 

The heater must stand on a solid, level non-flammable surface such as stone, slate, ceramic or concrete.

DO NOT Stand the heater on a carpet, rug or other soft floor covering.

DO NOT COVER THE HEATER

DO NOT use this heater with an extension cable

 During the first few minutes of initial use, you may notice a slight odour and a little smoke. This is normal and will quickly disappear, It is the coating applied to the heating elements to prevent any corrosion during transit.

Explanation of Symbols

The following warning symbols or words are used in this instruction manual:



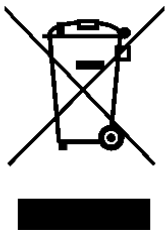
Products labelled with UK Conformity Assessment identifies products conforming to UK statutory requirements.



Products labelled with this symbol conform to applicable provisions of the European Economic Area.



This product is class 1 and therefore requires an earth connection.



You should now recycle your waste electrical goods and in doing so help the environment. This symbol means waste electrical products at the end of their useful life should not be disposed of with normal household waste and not sent to landfill. Please ensure it is taken to a suitable facility for disposal. Check with your Local Authority or retailer for recycling advice or visit www.recycle-more.co.uk or www.weeeireland.ie enter your postcode to find out your nearest recycling site.



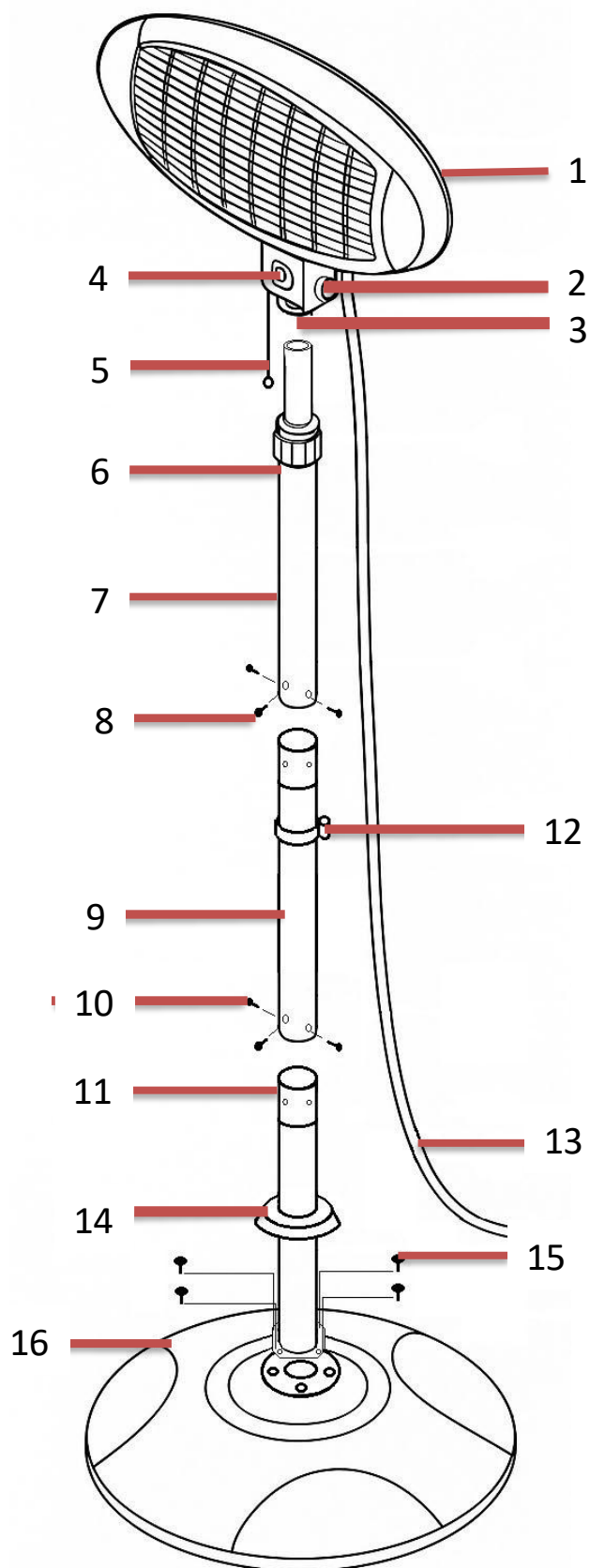
This symbol provides useful additional information on the use of this product.



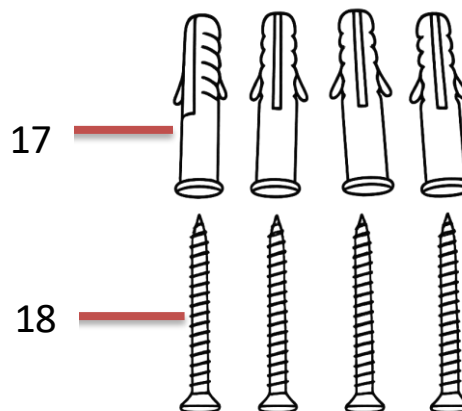
This symbol indicates that the supply uses an alternating current mains supply.



This designates a hazard with moderate risk, which may result in severe injury if not adhered to.

Description of Parts

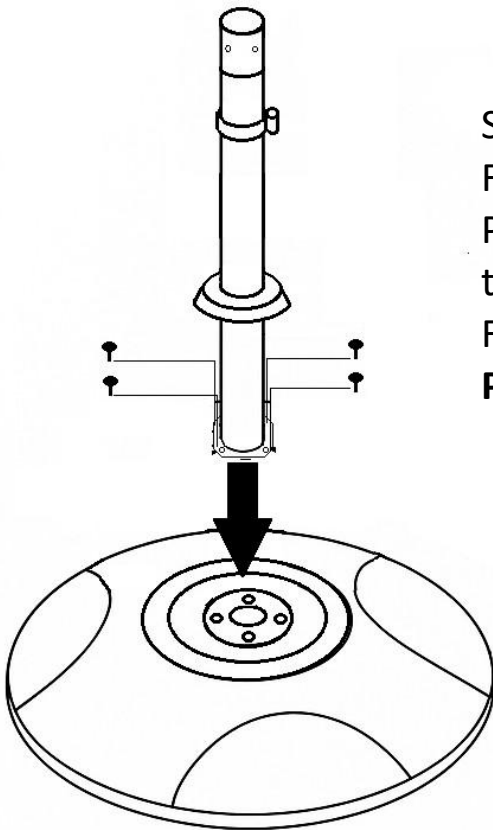
1. Patio Heater Head
2. Bolt
3. Mounting hole
4. Heat setting indicator
5. Pull switch cord
6. Height adjustable lock
7. Upper pole
8. M5 x 6mm screw
9. Middle pole
10. M5 x 6mm screw
11. Lower pole
12. Cable guide x3
13. Power cable
14. Base cover
15. M6 x 30mm screw
16. Base
17. Wall plugs x4
18. M4 x 35mm screw



Before First Use

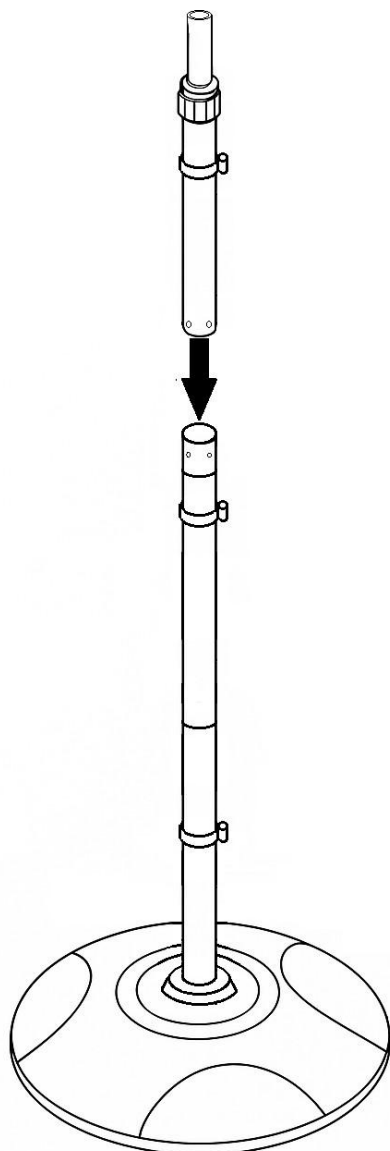
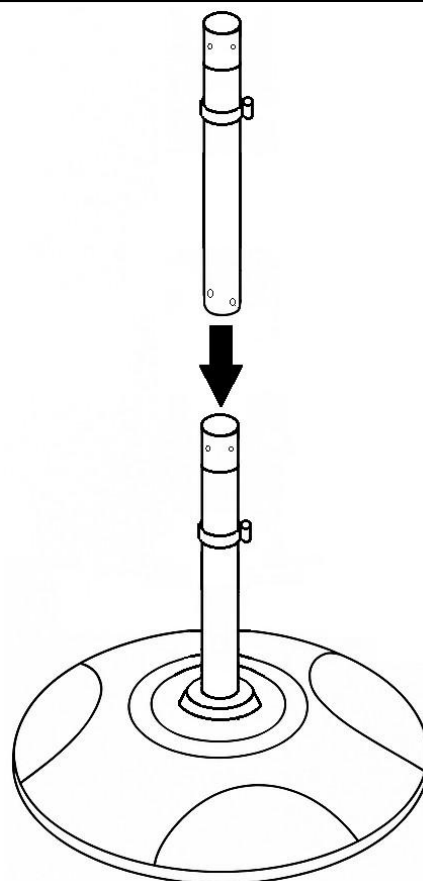
- Before assembling your patio heater, please retain all packaging until you have checked all the parts are present against the parts list. See the above '**Description of Parts**'.
- The fixing pack contains small items which should be kept away from young children.
- Please read these operating instructions thoroughly and keep them in a safe place for future reference.
- Remove all packing materials and discard responsibly.

Assembling Your Patio Heater



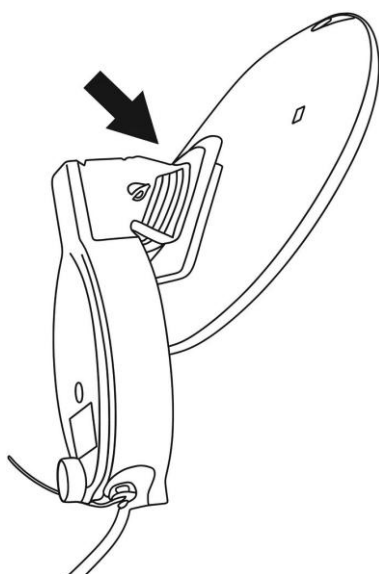
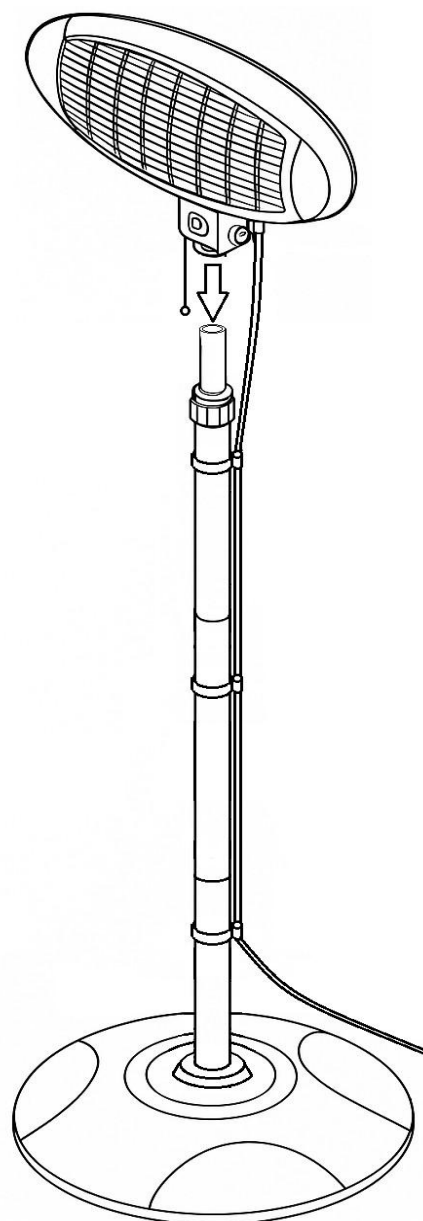
Secure the **Lower pole** (11) to the **Base** (16).
Fasten using four **M6 x 30mm screws** (15).
Place the **Base Cover** (14) on the pile attached to the base.
Fasten a **Cable guide** (12) around the **Lower Pole** (11).

Attach the **Middle Pole (9)** to the **Lower Pole (11)** with three **M5 x 6mm screws (10)**.
Fasten a **Cable guide (12)** around the **Middle Pole (9)**.



Attach the **Upper Pole (7)** with the telescopic tube to the **Middle Pole (9)** using three **M5 x 6mm screws (8)**.
Fasten a **Cable guide (12)** around the **Upper Pole (7)**.

Attach the **Patio Heater Head (1)** with the **Mounting Hole (3)** to the telescopic part of the **Upper Pole (7)**.
Tighten by turning the **Bolt (2)**.



The **Patio Heater Head (1)** can be tilted at an angle up to 45° to direct the heat.
Always turn it off and allow to cool before changing its angle.

Raise or lower the telescopic part of the **Upper pole (7)** by loosening the **Height Adjustable Lock (6)**.

Wall Mounting Your Patio Heater

The patio heater must be secured on a flat and solid surface. The supplied mounting material is only suitable for concrete or stone surfaces.

Fit the patio heater to the wall using the supplied **Wall plugs (17)** and **M4x35 mm screws (18)** as follows:

1. Drill 4 holes with a diameter of 8 mm in the wall. Make sure these are levelled.
2. Push a supplied plug into each drilled hole.
3. Insert 4 x M4x35 mm screws through the wall anchor and tighten them in the plugs in the wall. Do not tighten the screws to the end.
4. Hook the patio heater onto the wall anchor screws and slide it in place.

⚠️WARNING! Be careful whilst drilling the holes, care must be taken not to damage concealed cables and pipes in the wall. If in doubt obtain the services of a qualified tradesman to mount the patio heater.

Operating Instructions

1. Place the heater on a solid, level, heat resistant surface.
2. Insert the mains plug into a suitable socket outlet.
3. Turn the patio heater on by pulling the **Pull Switch Cord (6)**. Its preset setting can be seen on the **Heat Setting Indicator (4)**.
4. With each pull of the **Pull Switch Cord (6)**, the **Heat Setting Indicator (4)** will change to display the mode the heater is in as below:

Heat Setting Indicator	Heat Mode
0	OFF
1	Low Heat (650W)
2	Medium Heat (1300W)
3	High Heat (2000W)

5. To switch the patio heater off, pull the **Pull Switch Cord (6)** until '0' is displayed on the **Heat Setting Indicator (4)**. Then remove the plug from the socket outlet.

i Always turn the patio heater off using the Pull Switch Cord, then remove the plug from the socket.

i Allow the patio heater to fully cool before moving it or packing it away.

⚠️WARNING! Do not use the Patio Heater in rain, snow, hail, thunder or during strong winds.

Care and Use of Your Patio Heater

Always disconnect the patio heater from the mains power supply and allow to cool down before cleaning.

Clean outside of the heater with a clean damp cloth. Never clean with harsh or abrasive cleaners.

DO NOT submerge any part of the heater in water or any other liquids.

Technical Specification

Rated Voltage	220-240V~ 50-60Hz
Rated Power	2000W
Model Number	HEA2048
Ingress Protection	IP34
Protection Class	I (This appliance must be Earthed)

Non-Rewireable Mains Plug

If your appliance is supplied with a non-rewireable plug fitted to the mains lead and should the fuse needed replacing, you must use an ASTA approved one (conforming to BS 1362 of the same rating). Never use a plug with the fuse cover missing. If in doubt, consult a qualified electrician.

If you need to remove the plug -**DISCONNECT FROM THE MAINS**- and then cut it off the mains lead and immediately dispose of it safely. Never attempt to reuse the plug or insert it into a socket outlet as there is a danger of electric shock.

Recycling Information

Disposal of the Packaging

Dispose of paper and cardboard in appropriate paper re-cycling facilities.

Dispose of recyclable plastics in appropriate plastic re-cycling facilities.

Dispose of non-recyclable plastics in the appropriate plastics collection service.

Disposal of the Product



You should now recycle your waste electrical goods and in doing so help the environment. This symbol means waste electrical products at the end of their useful life should not be disposed of with normal household waste and not sent to landfill. Please ensure it is taken to a suitable facility for disposal. Check with your Local Authority or retailer for recycling advice or visit www.recycle-more.co.uk or www.weeeireland.ie to find your nearest recycling point.

Safety Marks



Customer Support

Should you require any product information, replacement parts or accessories, please contact our customer care team on 0161 831 7879 (8.30am-4.30pm Monday to Thursday, 8.00am-4.00pm Friday) and select option 3 or by contacting us via email: help@daewooelectricals.com.

- Replacement parts and accessories are guaranteed for 1 year from the date of purchase.
- It is important to note that your warranty becomes invalid should non Daewoo parts or accessories be used with this appliance.



DAEWOO®

WARRANTY

Thank you for purchasing your Daewoo product.

As part of our commitment to quality, we are offering you an extra 2 years warranty in addition to your 1 year guarantee

Your Daewoo product is guaranteed for 1 year from the date of original purchase, with proof of purchase or receipt. If any defect should occur due to faulty workmanship or material, your faulty product should be returned to the place of purchase, replacement or refund is at the discretion of the retailer.

The guarantee is subject to the following provisions:

- ♦ The product must be correctly installed and operated in accordance with the requirements contained in the instruction manual.
- ♦ The product must be used solely for domestic purposes.
- ♦ It does not cover general wear and tear, damage, misuse or any consumable parts.
- ♦ The guarantee will be rendered invalid if the product is re-sold or has been damaged through inexpert repair.
- ♦ The guarantee is only valid within the UK and Eire.

Your standard 1 year guarantee will only be extended to the maximum available for your individual product upon registration. (Note: products must be registered individually and covers the main body and housing). If you do not register your product within 28 days of the original purchase date, your product will only be guaranteed for 1 year.

To validate your extended 2 year warranty please register your purchase online within 28 days of the original purchase date by registering at:*

<https://help.daewooelectricals.com>

or

[Contact Us \(daewooelectricals.com\)](https://www.daewooelectricals.com)

*Your extended warranty is only valid with proof of purchase receipt and subject to the conditions outlined above.

Daewoo is a registered trademark.
Produced and imported under licence by
Eurosonic Group Limited
Brightgate House
1 Brightgate Way
Manchester M32 0TB UK
EU Rep: EuroSonic Magppie (ESM) Ltd. Ireland D05 X006
www.esgltd.com