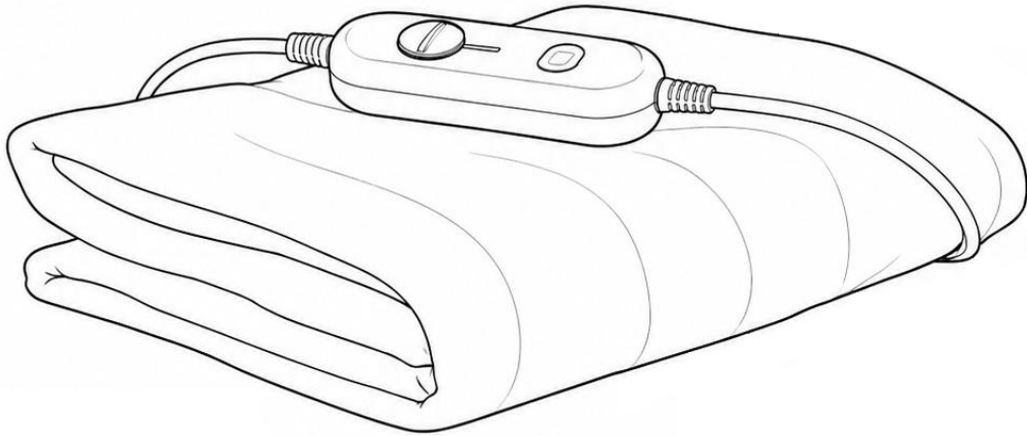


# Fine elements

## Double Electric Under Blanket

HEA1909 & HEA2088  
User Manual



1. Check that the product is intact and undamaged and all parts are present.
2. Dispose of packaging materials responsibly.
3. No tools are required during the assembly of the electric blanket.

### Safety Advice

- **IMPORTANT** – The first step you need to take is to ensure your safety! Please take time to read and understand these instructions before using the product.
- Please keep these instructions for future reference.
- **DO NOT** use this blanket folded or rucked.
- **DO NOT** insert pins into this blanket.
- This appliance can be used by children aged from 8 years old and above and persons with reduced physical, sensory or mental capabilities or lack of experience and knowledge if they have been given supervision or instruction concerning use of the appliance in a safe way and understand the hazards involved.
- Children shall not play with the appliance.
- Cleaning and user maintenance shall not be made by children without supervision.
- The appliance can be used by children older than 3 years and younger than 8 years under supervision and with the controller always set to the minimum (1) temperature setting.
- Not to be used by very young children (0-3 years).
- This appliance is not to be used by young children over the age of three unless the controls have been pre-set by a parent or guardian, or unless the child has been adequately instructed on how to operate the controls safely.
- Children under the age of three are not to use this appliance due to their inability to react to overheating.
- If sleeping for long periods of time, use the low heat setting (1) to avoid overheating and discomfort.
- Avoid using the blanket with the higher heat settings (2&3) whilst sleeping as this may increase the risk of skin burns and heat stroke.
- Only use the Controller marked on the rating label with this blanket.



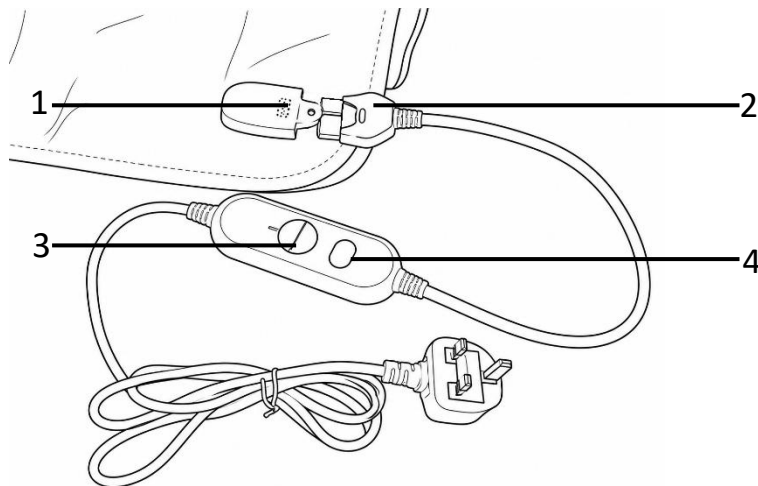
- Whilst storing the blanket, allow it to fully cool then fold neatly but not tightly or roll loosely avoiding sharp bends in the heating element.
- **DO NOT** crease the appliance by placing other items on top of the blanket.
- Examine the appliance frequently for signs of wear or damage. If there are such signs, if the appliance has been misused or does not work return it to the supplier before switching it on again.
- This blanket is for domestic use only and is not intended for commercial use or for use in hospitals.
- **DO NOT** use if damp or wet.
- This appliance must not be used by persons insensitive to heat and other very vulnerable persons who are unable to react to overheating.
- The appliance should not be used on an adjustable bed.
- When in use ensure the blanket & mains lead do not get trapped.
- The cable and control unit of the appliance can give rise to risks of entanglement, strangulation, tripping or treading if not correctly arranged. The user shall make sure that excess ties and electric cords shall be arranged in a safe way.
- The blanket is for use only as an underblanket to be fitted directly on top of the mattress underneath the bedding and fitted as described in the manual.
- Arrange the blanket so it is not positioned beneath bolsters or pillows.
- **DO NOT** dry clean this Heated Blanket, for cleaning follow the instructions supplied.
- There are no user serviceable parts, the blanket should only be repaired or serviced by a qualified service engineer.
- It is recommended this Heated Blanket is used in conjunction with a residual current device (RCD) with a rated residual operating current not greater than 30mA.
- This blanket is only for use by humans and shouldn't be used for pets.
- When in use the control unit must not be placed near open windows or inside the bed covers.

- Be sure the blanket is only connected to an electrical supply as specified in the instructions.
- Switch off the power and remove the plug from the socket outlet when not in use. Grasp the plug, not the cord.
- **It is recommended that this appliance should not be used whilst sleeping.**

The following warning symbols or words are used in this instruction manual:

	<p>Products labelled with UK Conformity Assessment identifies products conforming to UK statutory requirements.</p>
	<p>Products labelled with this symbol conform to applicable provisions of the European Economic Area.</p>
	<p>You should now recycle your waste electrical goods and in doing so help the environment. This symbol means waste electrical products at the end of their useful life should not be disposed of with normal household waste and not sent to landfill. Please ensure it is taken to a suitable facility for disposal. Check with your Local Authority or retailer for recycling advice or visit <a href="http://www.recycle-more.co.uk">www.recycle-more.co.uk</a> or <a href="http://www.weeeireland.ie">www.weeeireland.ie</a> enter your postcode to find out your nearest recycling site.</p>
<p><b>WARNING!</b></p>	<p>This designates a hazard with moderate risk, which may result in severe injury if not adhered to.</p>
	<p>This symbol indicates that the supply uses an alternating current mains supply.</p>
	<p>This symbol indicates that the heater is double insulated and therefore does not require an Earth connection.</p>
	<p>Do Not Use Folded or Rucked</p>
	<p>Do Not Insert Pins into the Blanket</p>
	<p>Do Not use with very young Children (0-3 years)</p>

## Description of Controls

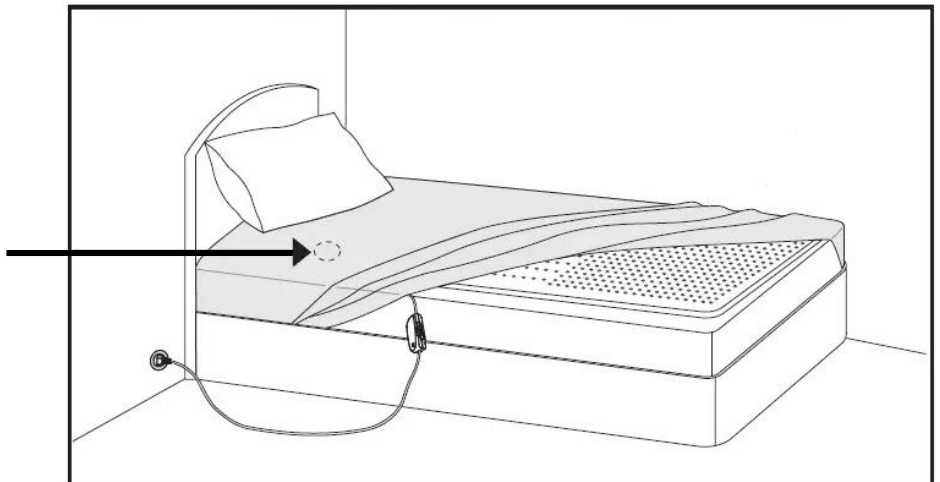


1. Blanket Connector
2. Controller Connector
3. Slide Control
4. LED Display

## Fitting the Electric Blanket

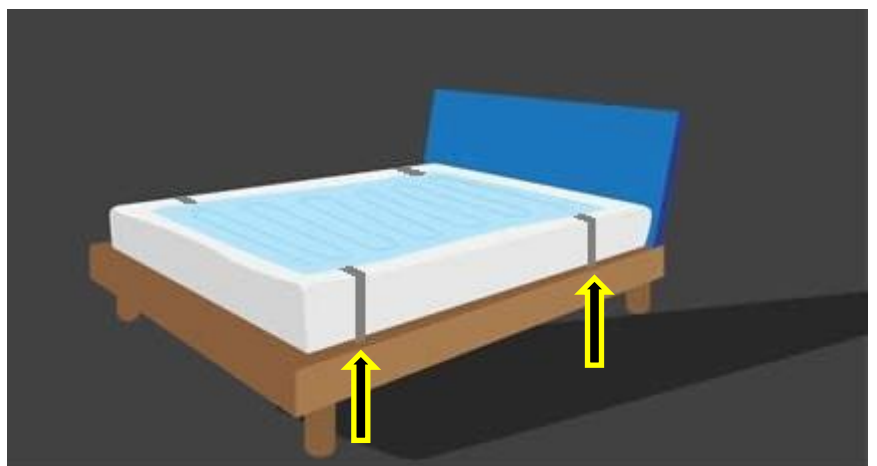
### Step 1

Place the blanket onto the mattress, leaving room for the pillow. Position so that the **Blanket Connector (1)** is at the pillow end.



### Step 2

Wrap the two elastic straps around the mattress at either end as shown arrowed right:



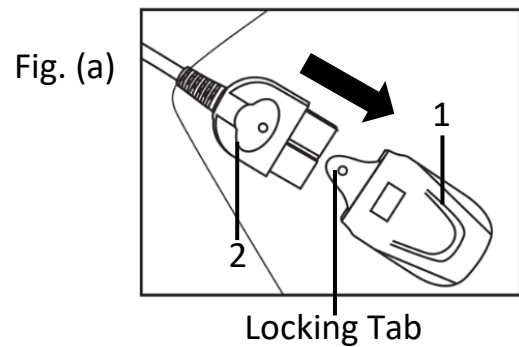
### Step 3

Ensure the Blanket is flat on the mattress without any creases or folds.

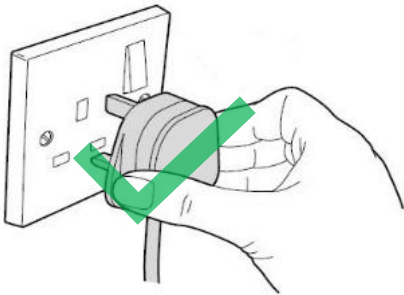
## Fitting the Electric Blanket

### Step 4

Push the **Controller Connector** (2) fully into the **Blanket Connector** (1) until the locking tab latches – see Fig. (a) right:



## Using the Electric Blanket



### Step 1

Insert the mains plug into the nearest mains socket.

### Step 2

Move the **Slide Control** (3) to one of the following settings:

0	OFF
1	Low Heat (25W)
2	Medium Heat (36W)
3	High Heat (70W)
0	OFF

**WARNING!** This blanket is only to be used with the controller supplied with the appliance.

The **LED Display** (4) in the controller will illuminate to show which heating setting (1 – 3) the blanket is set to.

**NB** On initial use it is recommended that the blanket be set on 1 (Low-Heat) for a period of two hours to dry any moisture in the blanket and mattress.

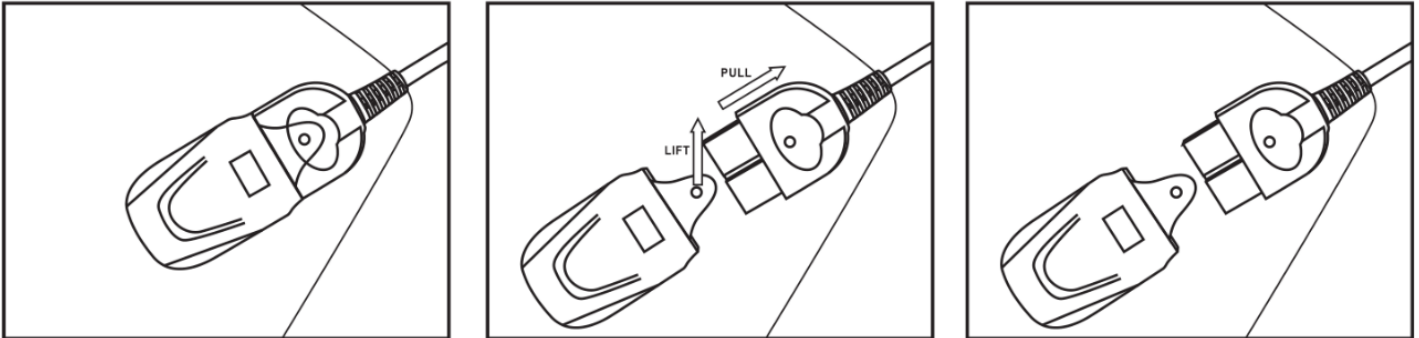
**WARNING!** This blanket should never be used whilst folded or rucked as this will cause overheating and the operation of the thermal safety device and stop the product working.

## Detaching the Controller

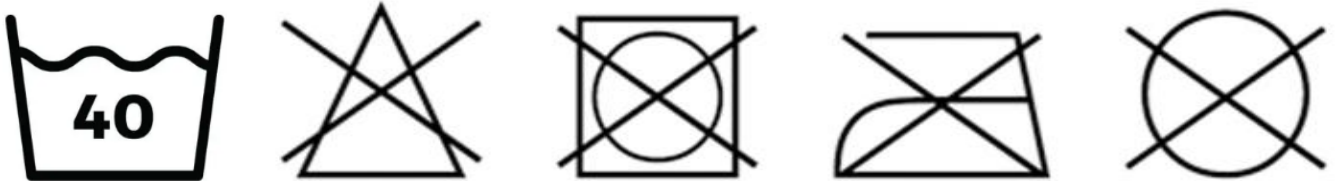
Before removing ensure the controller is set to '0' (OFF) position and remove the mains plug from the wall socket.

Lift the locking tab up and pull the two **Connectors** (1 & 2) apart as shown below.

Do not pull the cable or try and pull the connectors apart without lifting the locking tab as the connectors may be damaged.



## Care and Cleaning



- Machine wash at a maximum temperature of 40°C
- Do not bleach.
- Do not tumble dry.
- Do not iron.
- Do not dry clean.
- Line dry.
- Do not use folded or rucked.
- Do not insert pins into the blanket.
- Do not use the blanket if wet or moist.
- Do not use with a helpless person, an infant or a person insensitive to heat.
- Not to be used by very young children (0-3 years)



## Spot cleaning

Sponge the affected area using a lukewarm neutral detergent or a mild soap solution. Follow this by sponging using clean water. Remove any excess water by compressing the wet area between absorbent towels.

## Care and Cleaning

---

### Washing the Blanket

#### **WARNING!**

- **BEFORE WASHING, DISCONNECT THE CONTROLLER FROM THE BLANKET AS DESCRIBED ABOVE.**
- **DO NOT ALLOW THE CONTROLLER, ITS MAINS CABLE OR PLUG TO COME INTO CONTACT WITH WATER OR ANY OTHER LIQUIDS.**

### Hand Washing

Immerse the blanket only in a lukewarm neutral detergent or soap solution. Soak for five minutes then remove from the solution and gently squeeze the solution through the blanket, rinse in clean water.

After washing, lay the blanket flat or drape the blanket over a clothesline to dry,

**DO NOT** use clothes pegs to secure it to the line.

**DO NOT** wring the blanket.

### Machine Washing

Disconnect the controller and place the blanket in a net bag and seal it. Use a small amount of detergent and set the washing machine to a “Delicate Wash” with a maximum temperature of 40°.

After washing, lay the blanket flat or drape the blanket over a clothesline to dry,

**DO NOT** use clothes pegs to secure it to the line.

**DO NOT** wring the blanket.

## Technical Specification

---

Product Code	HEA1909 & HEA2088
Rated Voltage	220-240V AC ~ 50Hz
Rated Power	70W
Dimensions	135cm(L) x 120cm(W) (Double)
Protection Class	II

## Mains Plug

---

If this appliance is supplied with a non-rewireable plug fitted to the mains lead and should the fuse need replacing, you must use an ASTA approved one (conforming to BS 1362 of the same rating). Never use a mains plug with the fuse cover missing. If in doubt, consult a qualified electrician.

If the plug is to be removed – DISCONNECT FROM THE MAINS – and then cut it off the mains lead and immediately dispose of it safely. Never attempt to reuse the plug or insert it into a socket outlet as there is a danger of electric shock.

## Recycling

---

### Disposal of the Packaging

Dispose of paper and cardboard in appropriate paper re-cycling facilities.  
 Dispose of recyclable plastics in appropriate plastic re-cycling facilities.  
 Dispose of non-recyclable plastics in the appropriate plastics collection service.

### Disposal of the Product



You should now recycle your waste electrical goods and in doing so help the environment. This symbol means waste electrical products at the end of their useful life should not be disposed of with normal household waste and not sent to landfill. Please ensure it is taken to a suitable facility for disposal. Check with your Local Authority or retailer for recycling advice or visit [www.recycle-more.co.uk](http://www.recycle-more.co.uk) or [www.weeeireland.ie](http://www.weeeireland.ie), enter your postcode to find out your nearest recycling site.

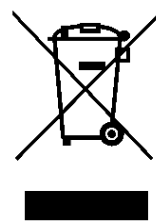
## Customer Support

---

Should you require any product information, replacement parts or accessories, please contact our customer care team on 0161 831 7879 (8.30am-4.30pm Monday to Thursday, 8.00am-4.00pm Friday) and select option 3.

## Safety Marks

---



# Fine elements

Fine Elements® is a registered trademark.

Produced and imported under licence by

Eurosonic Group (ESG) Limited

Brightgate House

1 Brightgate Way

Manchester, M32 0TB, UK.

EU Rep: EuroSonic Magppie (ESM) Ltd. Ireland D05 X006.

[www.esgltd.com](http://www.esgltd.com)

Made in China