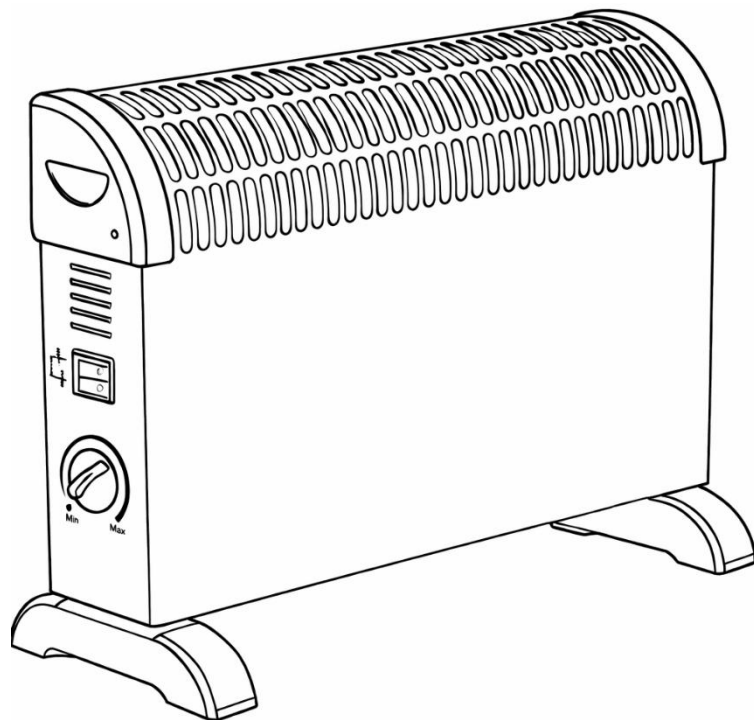




# DAEWOO®

## 2000W Convector Heater

HEA1146  
User Manual



This product is only suitable for well insulated spaces or occasional use.

## Getting Started

---

1. Check that the product is intact and undamaged and all parts are present.
2. Dispose of packaging materials responsibly.
3. A crosshead screwdriver is required to attach the feet to your convector heater.
4. The **Feet** (6) and **Screws** (8) are packed separately. Please check all the parts are present before discarding the packaging material.

## Safety Advice

---

- **IMPORTANT** – The first step you need to take is to ensure your safety! Please take time to read and understand these instructions before using the product.
- Please keep these instructions for future reference.
- **WARNING!** In order to avoid overheating, **DO NOT COVER** the heater.
- **WARNING!** To reduce the risk of fire, keep textiles, curtains, or any other flammable material a minimum distance of 1m from the air outlet.
- **DO NOT** locate the appliance immediately below an electrical socket outlet.
- **DO NOT** use this heater with an extension cable.
- Check that the voltage indicated on the data plate corresponds with that of the local network before connecting the appliance to the mains power supply.
- Close supervision is required when using this appliance near children.
- **DO NOT** leave this appliance within reach of children.
- This appliance can be used by children aged from 8 years and above and persons with reduced physical, sensory or mental capabilities or lack of experience and knowledge if they have been given supervision or instruction concerning use of the appliance in a safe way and understand the hazards involved. Children shall not play with the appliance. Cleaning and user maintenance shall not be made by children without supervision.
- Children of less than 3 years should be kept away unless continuously supervised.

- Children aged from 3 years and less than 8 years shall only switch on/off the appliance provided that it has been placed or installed in its intended normal operating position and they have been given supervision or instruction concerning use of the appliance in a safe way and understand the hazards involved. Children aged from 3 years and less than 8 years shall not plug in, regulate and clean the appliance or perform user maintenance.
- **WARNING! Some parts of this product can become very hot and cause burns. Particular attention has to be given where children and vulnerable people are present.**
- **DO NOT** use the heater in the immediate surroundings of a bath, shower or a swimming pool.
- **DO NOT** use this heater in small rooms when they are occupied by persons not capable of leaving the room on their own, unless constant supervision is provided.
- **DO NOT** immerse the appliance or its cord in water or any other liquids.
- **DO NOT** leave the appliance unattended during use.
- **DO NOT** leave the appliance unattended whilst connected to the mains supply.
- Always use this appliance on a solid, level, non-flammable surface.
- **DO NOT** use this appliance outdoors.
- It is imperative to unplug the power cord after the appliance has been used, before it is cleaned and whilst being repaired.
- Repairs to electrical appliances should only be performed by qualified personnel. Improper repairs may place user at serious risk.
- **DO NOT** operate this appliance with a damaged plug or cord, after a malfunction or after being dropped or damaged in any way.
- Regular, periodic checks should be carried out on the mains cable to ensure no damage is evident. Should there be any signs of damage the appliance should not be used.

- If the supply cord is damaged it must be replaced by the manufacturer or service agent.
- **DO NOT** allow the mains cable to hang over sharp edges or come in contact with hot surfaces.
- **DO NOT** run the mains cable under carpets, rugs, etc.
- Allow the unit to cool before storage.
- Before cleaning, disconnect the appliance from the mains supply and allow to cool.
- **DO NOT** place the appliance near to flammable material or high pressure containers. (E.g. Paper, wood, petrol, solvents, spray canisters etc.)
- This appliance is intended for household use only and should not be used for industrial purposes.
- **DO NOT** use any accessories or attachments with this appliance other than those supplied or recommended by supplier.
- **DO NOT** use this appliance for anything other than its intended use.
- **DO NOT** push objects into any openings as damage to the appliance and/or electric shock may occur.
- The appliance should not be installed in areas which have a fire-risk, such as garages, stables or wooden sheds; this is applicable also for rooms in which highly inflammable gasses or dust can develop. Danger of fire!!
- Unplug after each use. Grasp the plug, not the cord.

**This appliance has been ERP classified as a portable space heater and should only be used for supplementary, secondary or temporary heating. It should not be considered for primary permanent heating in a room or dwelling.**

**NB During the first few minutes of initial use, you may notice a slight odour and a little smoke. This is normal and will quickly disappear, It is the coating applied to the heating elements to prevent any corrosion during transit.**

**CAUTION** 

**Keep Hearth Rugs and other soft furnishings away from the heater. They could obstruct the free flow of air from the heater and damage both soft furnishings and heater.**

**The heater must stand on a solid, level non-flammable surface such as stone, slate, ceramic or concrete.**



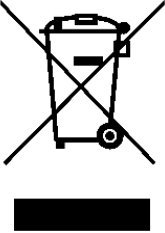


**DO NOT Stand the heater on a carpet, rug or other soft floor covering.**

**DO NOT COVER THE HEATER**

**THIS HEATER MUST ONLY BE OPERATED IN THE UPRIGHT POSITION WITH THE FEET FITTED**

**THIS APPLIANCE MUST BE EARTHED**

The following warning symbols or words are used in this instruction manual:

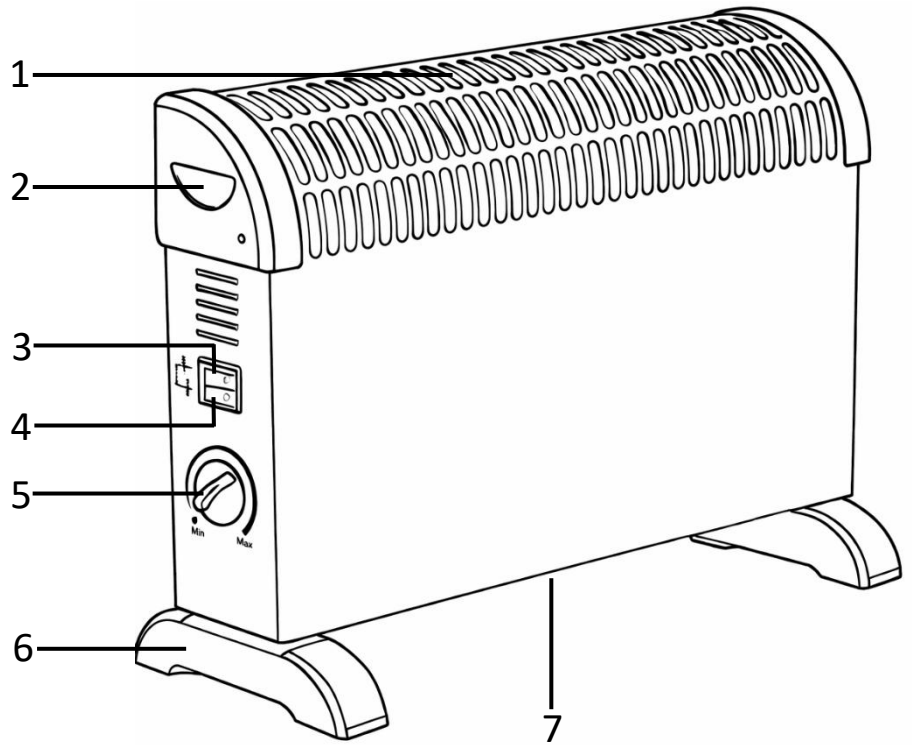
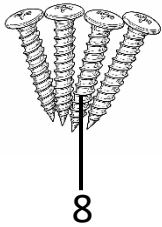
	<p>Products labelled with UK Conformity Assessment identifies products conforming to UK statutory requirements</p>
	<p>Products labelled with this symbol conform to applicable provisions of the European Economic Area.</p>
	<p>You should now recycle your waste electrical goods and in doing so help the environment. This symbol means waste electrical products at the end of their useful life should not be disposed of with normal household waste and not sent to landfill. Please ensure it is taken to a suitable facility for disposal. Check with your Local Authority or retailer for recycling advice or visit <a href="http://www.recycle-more.co.uk">www.recycle-more.co.uk</a> or <a href="http://www.weeeireland.ie">www.weeeireland.ie</a> enter your postcode to find out your nearest recycling site.</p>
<p><b>WARNING!</b></p>	<p>This designates a hazard with moderate risk, which may result in severe injury if not adhered to.</p>
	<p>This symbol indicates that the supply uses an alternating current mains supply.</p>
	<p>This symbol indicates that the product is class I and therefore requires an earth connection.</p>

## **What's in the Box**

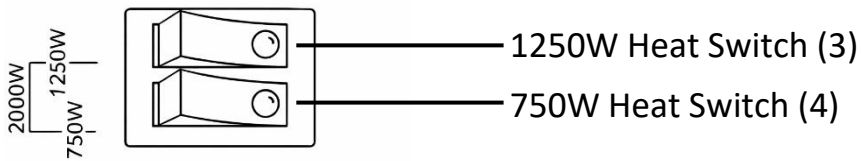
---

- Convector Heater
- Feet (x2)
- Screws (x4)
- User Manual (This Booklet)

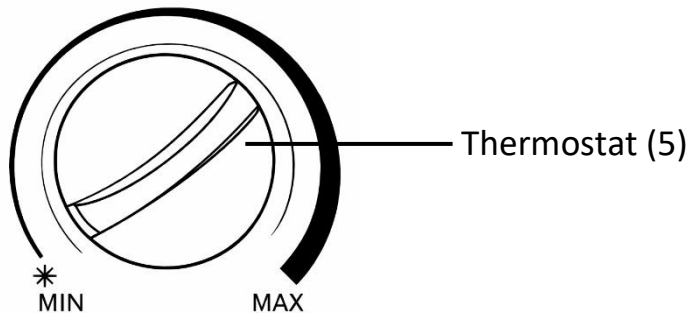
- 1. Air Outlet
- 2. Carry Handle
- 3. 1250W Heat Switch
- 4. 750W Heat Switch
- 5. Thermostat
- 6. Feet (x2)
- 7. Air Intake
- 8. Screws (x4)



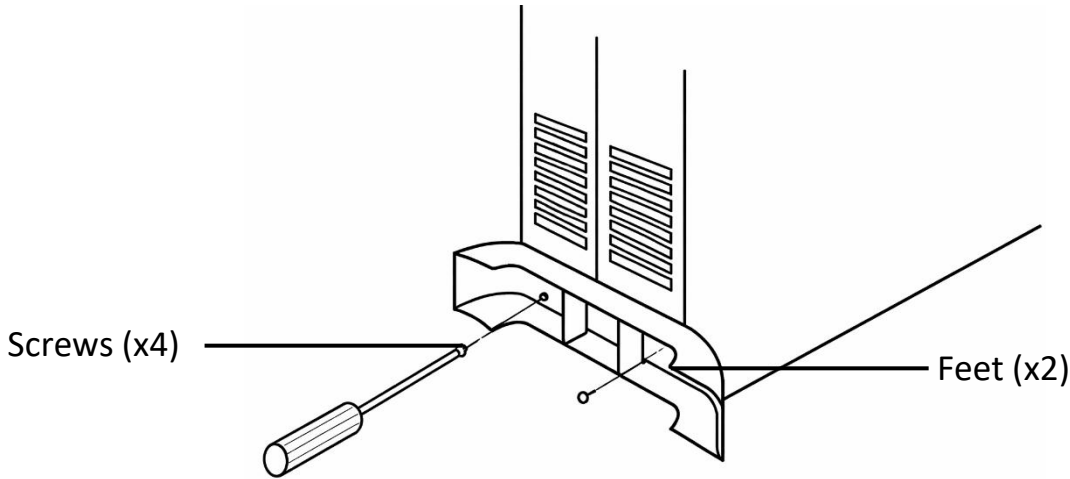
Description of Parts – Controls



**NB** Both switches are shown in the off position



Before using this heater, the **Feet (6)** must be fitted to the unit. These are attached to the base of the heater using the four self-tapping **Screws (8)** provided; take care to ensure that they are located correctly in the holes at either end of the base of the appliance:



**DO NOT USE THE HEATER WITHOUT THE FEET FITTED**

## Operating Instructions

1. Place the heater on a solid, level non-flammable surface.
2. Ensure that the **Heat Switches (3 & 4)** are in the OFF position.
3. Insert the mains plug into the mains socket.
4. For the low heat setting (750W), press just the **750W Heat Switch (4)**.
5. For the medium heat setting (1250W), press just the **1250W Heat Switch (3)**.
6. For the high heat setting (2000W), press both **Heat Switches (3&4)**.
7. Rotate the **Thermostat (5)** clockwise to increase the room temperature and anticlockwise to decrease the room temperature as desired.

**NB** The indicators in the switches will illuminate on and off indicating that the set temperature is being maintained, this is quite normal.

8. Return both **Heat Switches (3&4)** to the off position to switch off the heater.

### Hint on setting the Correct Temperature

1. Set the heater to the desired heat setting as above.
2. Rotate the **Thermostat** (5) to the maximum position and allow the room to warm up. Once the desired room temperature has been reached turn the **Thermostat** (5) anticlockwise until the heater just clicks off then turn it back up clockwise very slightly. The **Thermostat** (5) will now maintain the room temperature, if necessary, further increasing or decreasing the **Thermostat** (5) may be required to 'fine tune' the ideal room temperature.
3. Return both **Heat Switches** (3&4) to the off position to switch off the heater.

### Care and Cleaning

- Always disconnect the heater from the mains power supply and allow to cool before cleaning.
- Clean outside of the heater with a clean damp cloth. Never clean with harsh or abrasive cleaners.
- **DO NOT** submerge any part of the heater in water or any other liquids.
- **DO NOT WRAP THE MAINS CABLE AROUND THE APPLIANCE.**

### Safety Cut-Out

This appliance is fitted with a built-in safety cut-out, if the cut-out is activated the unit stops working, unplug the heater from the mains and check that the air intake area is not blocked or covered.

Leave for an hour to cool and reset before plugging back into the mains.

### Technical Specification

Rated Voltage	220-240V~ 50Hz
Rated Power	1800-2000W
Model Number	HEA1146
Dimensions	370mm (H) x 533mm (W) x 200mm (D)
Weight	2.1kg
Protection Class	I (This Appliance Must be Earthed)

If your appliance is supplied with a non-rewireable plug fitted to the mains lead and should the fuse need replacing, you must use an ASTA approved one (conforming to BS 1362 of the same rating). Never use a plug with the fuse cover missing. If in doubt, consult a qualified electrician.

If you need to remove the plug – **DISCONNECT FROM THE MAINS** – and then cut it off the mains lead and immediately dispose of it safely. Never attempt to reuse the plug or insert it into a socket outlet as there is a danger of electric shock.

## Recycling

---

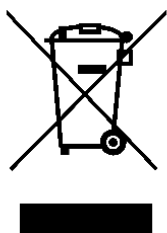
### Disposal of the Packaging

Dispose of paper and cardboard in appropriate paper re-cycling facilities.

Dispose of recyclable plastics in appropriate plastic re-cycling facilities.

Dispose of non-recyclable plastics in the appropriate plastics collection service.

### Disposal of the Product



You should now recycle your waste electrical goods and in doing so help the environment. This symbol means waste electrical products at the end of their useful life should not be disposed of with normal household waste and not sent to landfill. Please ensure it is taken to a suitable facility for disposal. Check with your Local Authority or retailer for recycling advice or visit [www.recycle-more.co.uk](http://www.recycle-more.co.uk) or [www.weeeireland.ie](http://www.weeeireland.ie) enter your postcode to find out your nearest recycling site.

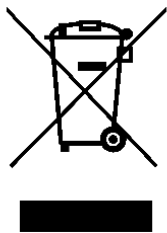
Should you require any product information, replacement parts or accessories, please contact our customer care team on 0161 831 7879 (8.30am-4.30pm Monday to Thursday, 8.00am-4.00pm Friday) and select option 3 or by contacting us via email: [help@daewooelectricals.com](mailto:help@daewooelectricals.com).

- Replacement parts and accessories are guaranteed for 1 year from the date of purchase.
- It is important to note that your warranty becomes invalid should non Daewoo parts or accessories be used with this appliance.

Model identifier(s): HEA1146					
Item	Symbol	Value	unit	Item	unit
<b>Heat output</b>				<b>Type of heat input, for electric storage local space heaters only (select one)</b>	
Nominal heat output	$P_{nom}$	220V: 1.8 240V: 2.0	kW	Manual heat charge control, with integrated thermostat	[no]
Minimum heat output (indicative)	$P_{min}$	0.000	kW	Manual heat charge control with room and/or outdoor temperature feedback	[no]
Maximum continuous heat output	$P_{max,c}$	220V: 1.8 240V: 2.0	kW	Electronic heat charge control with room and/or outdoor temperature feedback	[no]
<b>Power consumption</b>				Fan assisted heat output	
In off mode	$P_o$	0.242	W	<b>Type of heat output/room temperature control (select one)</b>	
In standby mode	$P_{sm}$	-	W	Single stage heat output and no room temperature control	[no]
In idle mode	$P_{idle}$	-	W	Two or more manual stages, no room temperature control	[no]
In network standby	$P_{nsm}$	-	W	With mechanic thermostat room temperature control	[yes]
Standby mode with display of information or status			[no]	With electronic room temperature control	[no]
Seasonal space heating energy efficiency in active mode	$\eta_{s,on}$	85.0	%	Electronic room temperature control plus day timer	[no]
				Electronic room temperature control plus week timer	[no]
				<b>Other control options (multiple selections possible)</b>	
				Room temperature control, with presence detection	[no]
				Room temperature control, with open window detection	[no]
				with distance control option	[no]
				with adaptive start control	[no]
				with working time limitation	[no]
				with black bulb sensor	[no]

**UK  
CA**

**C E**





Thank you for purchasing your Daewoo product.

***As part of our commitment to quality, we are offering you an extra 2 years warranty in addition to your 1 year guarantee***

Your Daewoo product is guaranteed for 1 year from the date of original purchase, with proof of purchase or receipt. If any defect should occur due to faulty workmanship or material, your faulty appliance should be returned to the place of purchase, replacement or refund is at the discretion of the retailer.

The guarantee is subject to the following provisions:

- The product must be correctly installed and operated in accordance with the requirements contained in the instruction manual.
- The product must be used solely for domestic purposes.
- It does not cover general wear and tear, damage, misuse or any consumable parts.
- The guarantee will be rendered invalid if the product is re-sold or has been damaged through inexpert repair.
- The guarantee is only valid within the UK and Eire.

Your standard 1 year guarantee will only be extended to the maximum available for your individual product upon registration. (Note: products must be registered individually and covers the main body and housing). If you do not register your product within 28 days of the original purchase date, your product will only be guaranteed for 1 year.

**To validate your extended 2 year warranty\* please register your purchase online within 28 days of the original purchase date by registering at:**

**<https://help.daewooelectricals.com>**

**or**

**[Contact Us \(daewooelectricals.com\)](https://help.daewooelectricals.com)**

\*Your extended warranty is only valid with proof of purchase receipt and subject to the conditions outlined above.

Daewoo is a registered trademark.  
Produced and imported under licence by  
Eurosonic Group Limited  
Brightgate House  
1 Brightgate Way  
Manchester M32 0TB UK  
EU Rep: EuroSonic Magppie (ESM) Ltd. Ireland D05 X006  
[www.esgltd.com](http://www.esgltd.com)  
Made in China