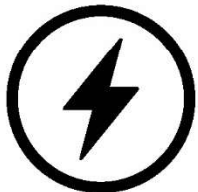




ASH VACUUM



600W



TANK CAPACITY



EASY USE HANDLE



0.5M FLEXIBLE HOSE



5M POWER CORD

Contents

Page No.

2	Contents
3	Reading and Storing the User Manual
3	Important Safety Instructions for Proper Use
6	Explanation of Symbols
7	Description of Parts
7	Before First Use of Your Ash Vacuum Cleaner
7	Assembling Your Ash Vacuum Cleaner
8	Using Your Ash Vacuum Cleaner
9	Emptying Your Ash Vacuum Cleaner
9	Cleaning and Maintenance of Your Ash Vacuum Cleaner
10	Cleaning the Hepa Filter
10	Troubleshooting Guide
11	Fitting a New Plug
11	Technical Specification
12	Recycling Information
15	Customer Support
Back Page	Warranty Information

READING AND STORING THE USER MANUAL



Before using this product, please read through this manual carefully paying particular attention to the safety instructions. Failure to do so may result in personal injury or damage to the product.

Carefully save this instruction manual for future reference. Ensure the user manual is included when passing the product on to any third parties.

IMPORTANT SAFETY INSTRUCTIONS FOR PROPER USE

When using electrical appliances, basic safety precautions should always be followed.

Only use the product as described in this user manual. Any other use is considered improper and may result in damage to property or persons. The manufacturer or vendor cannot be held liable for damages or injury incurred through improper or incorrect use.

- **Read and familiarise yourself with all operating instructions before using this appliance.**
- Before plugging your unit into the mains, visually check that the unit is intact and has not suffered any transit damage.
- **WARNING:** In order to avoid overheating, do not cover the vacuum.
- **DO NOT** use this vacuum with a programmer, timer, separate remote-control system or any other device that switches the vacuum on automatically, since a fire risk exists if the vacuum is covered or positioned incorrectly.
- Check that the voltage indicated on the data plate corresponds with that of the local network before connecting the appliance to the mains power supply.
- Close supervision is required when using this appliance near children.
- This appliance can be used by children aged from 8 years and above and persons with reduced physical, sensory or mental capabilities or lack of experience and knowledge if they have been given supervision or instruction concerning use of the appliance in a safe way and understand the hazards involved.

- Children shall not play with the appliance.
- Cleaning and maintenance shall not be made by children without supervision.
- Never leave this appliance within reach of children.
- **DO NOT** immerse the appliance or its cord in water or any other liquids.
- It is imperative to unplug the power cord after the appliance has been used, before it is cleaned and whilst being repaired.
- Repairs to electrical appliances should only be performed by qualified personnel. Improper repairs may place user at serious risk.
- **DO NOT** operate this appliance with a damaged plug or cord, after a malfunction or after being dropped or damaged in anyway.
- Regular, periodic checks should be carried out on the mains cable to ensure no damage is evident. Should there be any signs of damage the appliance should not be used.
- If the power cable is damaged, it should only be replaced by the manufacturer or suitable qualified personnel in order to avoid a hazard.
- **DO NOT** allow the mains cable to hang over sharp edges or come in contact with hot surfaces.
- Allow the unit to cool before storage.
- Before cleaning, disconnect the appliance from the mains supply and allow to cool.
- This appliance is intended for household use only and should not be used for industrial purposes.
- **DO NOT** use any accessories or attachments with this appliance other than those supplied or recommended by supplier.
- **DO NOT** use this appliance for anything other than its intended use.
- **DO NOT** push objects into any openings as damage to the appliance and/or electric shock may occur.
- **DO NOT** leave the appliance unattended while switched on

or connected to the mains power supply.

- Unplug after each use, grasp the plug not the cord.
- It is recommended that for outdoor use the appliance is plugged into an IP rated socket outlet protected by a residual current device (RCD) with a fault rating of 30mA Δ 100mS.
- **DO NOT** use to suck up water.
- **DO NOT** immerse in water for cleaning.
- The hose should be checked regularly and must not be used if damaged.



WARNING! DO NOT VACUUM HOT ASHES

Explanation of Symbols

The following warning symbols or words are used in this instruction manual:



Products labelled with UK Conformity Assessment identifies products conforming to UK statutory requirements.



Products labelled with this symbol conform to applicable provisions of the European Economic Area.



You should now recycle your waste electrical goods and in doing so help the environment. This symbol means waste electrical products at the end of their useful life should not be disposed of with normal household waste and not sent to landfill. Please ensure it is taken to a suitable facility for disposal. Check with your Local Authority or retailer for recycling advice or visit www.recycle-more.co.uk to find out your nearest recycling site.



This symbol provides useful additional information on the use of this product.



This symbol indicates that the supply uses an alternating current mains supply.



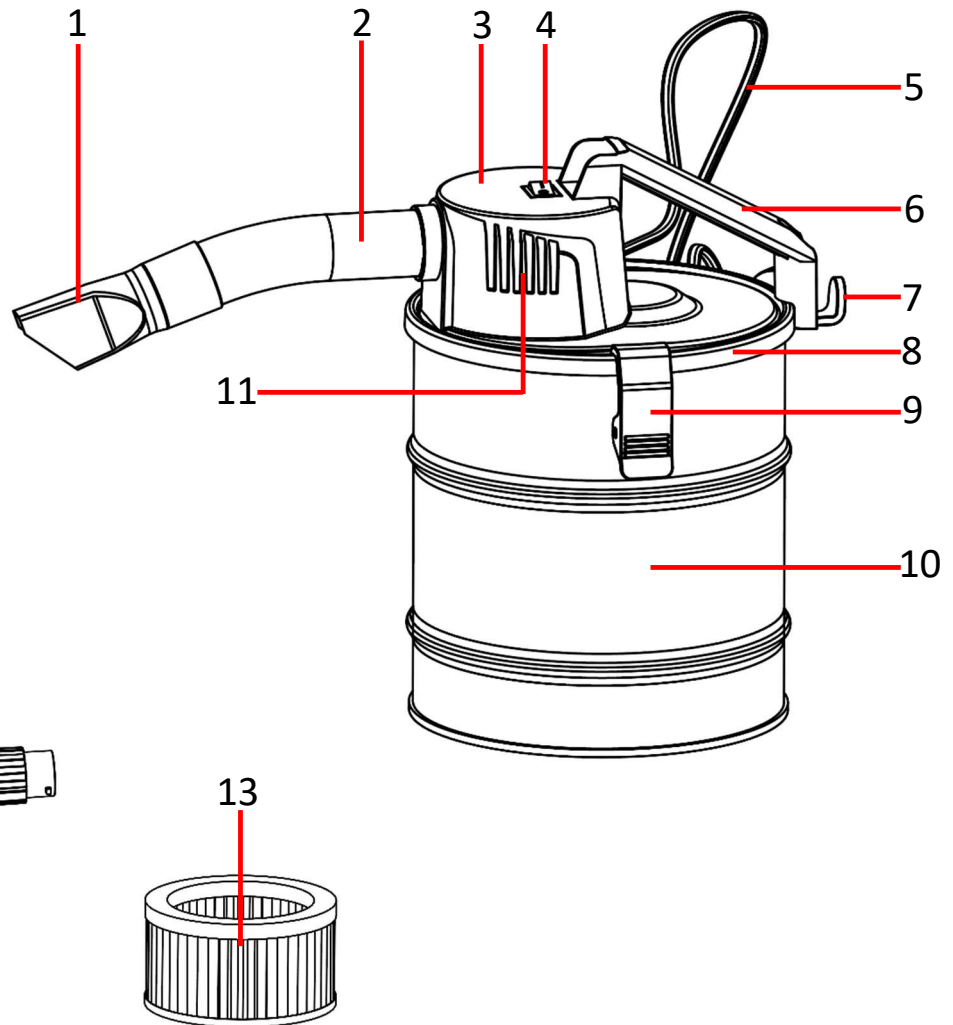
WARNING! This designates a hazard with moderate risk, which may result in severe injury or damage to the product if not adhered to.



This symbol indicates that the appliance is electrically double insulated and therefore does not require an earth connection.

Description of Parts

1. Crevice Tool
2. Metal Tube
3. Motor Unit
4. On/Off Switch
5. Mains Cable
6. Handle
7. Cable Hook
8. Top Cover
9. Locking Clamp(s)
10. Ash Tank
11. Air Outlet
12. Flexible Hose
13. Hepa Filter



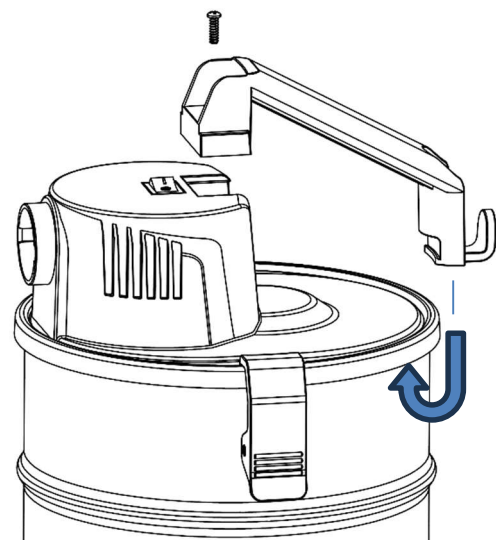
Before first use of Your Ash Vacuum Cleaner

Remove all packing materials and discard responsibly.

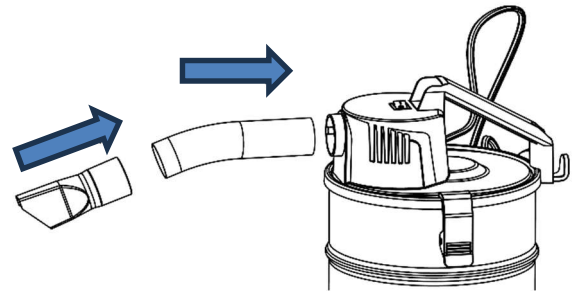
Check that all items are present – see **Description of Parts** above.

Assembling Your Ash Vacuum Cleaner

1. Hook the base of the **Handle** (6) onto the underside edge of the **Top Cover** (8).
2. Attached the top of the **Handle** (6) onto the body of the **Motor Unit** (3) using the screw provided and tighten with a suitable screwdriver (not supplied).

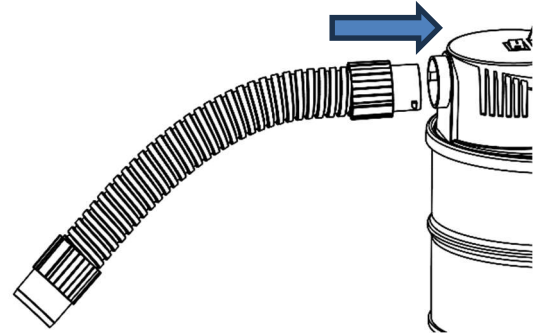


3. Push the **Metal Tube** (2) into the front of the Ash Vacuum as shown right and then push the **Crevice Tool** (1 – if desired) onto the end of the **Metal Tube** (2).



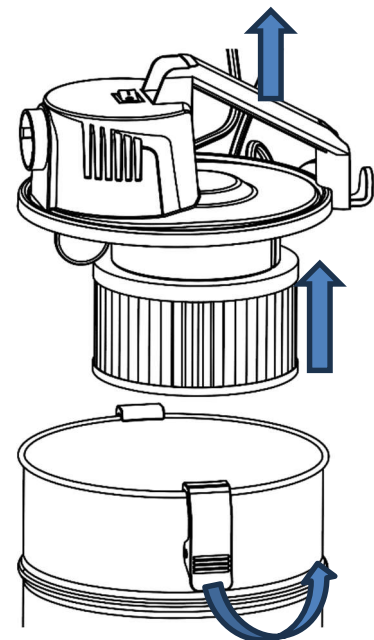
4. If a longer reach is needed, first insert the **Flexible Hose** (12) by pushing it into the inlet and twisting clockwise.
5. Insert the **Metal Tube** (2) and the **Crevice Tool** (1) into the end of the **Flexible Hose** (12).

NOTE to remove the **Flexible Hose** (12), twist anticlockwise and pull.



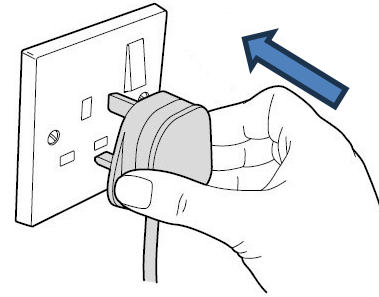
Using Your Ash Vacuum Cleaner

1. Before using your Ash Vacuum, ensure that the filters are in place as follows:
 - a. Lift up the two **Locking Clamps** (9) and allow them to click open and fall away from the **Top Cover** (8).
 - b. Grasp the vacuum by the **Handle** (6) and carefully lift the vacuum clear of the **Ash Tank** (10) to reveal the filters.
 - c. Ensure that the **Hepa Filter** (13) is in place and it is pushed all the way up in the direction of the arrow right and no gap shows at the top of the filter:



Vacuumping

1. Fully unravel the **Mains Cable** (5) and insert the mains plug into the nearest socket.
- i** If using the vacuum outdoors, an IP rated socket outlet protected by an RCD is recommended to prevent risk of electric shock.
2. Switch on the vacuum by pressing the **On/Off Switch** (4) to the 'I' position.
3. Remove ash, dust debris as required.

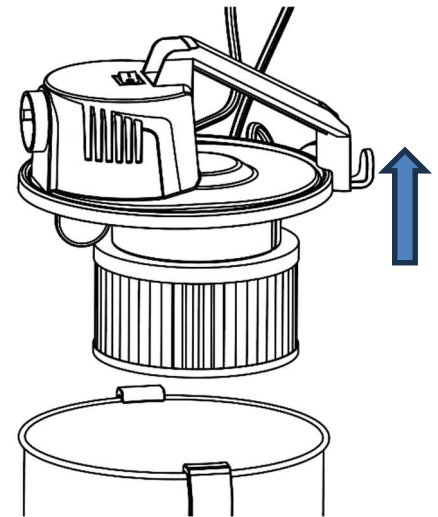


⚠ WARNING! DO NOT attempt to clean debris larger than half the width of the nozzle as this can cause blockages and overheating of the vacuum.

⚠ WARNING! DO NOT vacuum hot ash – allow the ash to cool before vacuuming.

Emptying Your Ash Vacuum Cleaner

1. Lift up the two **Locking Clamps** (9) and allow them to click open and fall away from the **Top Cover** (8).
2. Remove the vacuum from the **Ash Tank** (10).



3. Empty the contents of the **Ash Tank** (10) into the waste bin.
4. Replace the Vacuum on top of the **Ash Tank** (10) and hook the two **Locking Clamps** (9) over the edge of the **Top Cover** (8) and then pressing clamps back against the sides of the **Ash Tank** (10).

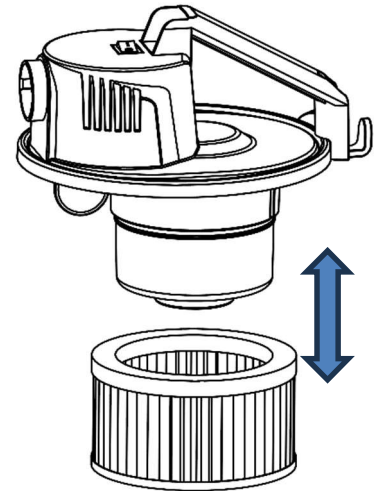
Cleaning and Maintenance of Your Ash Vacuum Cleaner

- Always ensure the Ash Vacuum is unplugged and the **On/Off Switch** (4) is in the OFF 'O' position before storing away or cleaning.
- The outer surfaces of the Ash Vacuum can be wiped with a damp cloth and dried.
- The inner of the **Ash Tank** (10) can be cleaned with warm soapy water and rinsed. Ensure the tank is completely dry before re-attaching to the **Motor Unit** (3)
- **DO NOT** use abrasive cleaning materials or scouring pads to clean any part of the Ash vacuum as this will damage the surface.
- **DO NOT** submerge any part of the Ash Vacuum in water or any other liquid.

Cleaning the Hepa Filter (13)

i After every 250-300 litres of use it is advised to clean the **Hepa Filter (13)** as below:

1. Lift up the two **Locking Clamps (9)** and allow them to click open and fall away from the **Top Cover (8)**.
2. Remove the vacuum from the **Ash Tank (10)**.
3. Pull the **Hepa Filter (13)** off the vacuum as shown right:



1. Clean the **Hepa Filter (13)** using a vacuum cleaner.
2. Do not immerse the **Hepa Filter (13)** in water as this will affect the efficiency. Once clean, replace the **Hepa Filter (13)** by pushing it back onto the **Motor Unit (3)**.
3. Replace the **Motor Housing (3)** onto the **Ash Tank (10)** and fasten the **Locking Clamps (9)**.

i It is recommended the filters are changed after approximately 500 litres of use or after 25 times the tank is emptied.

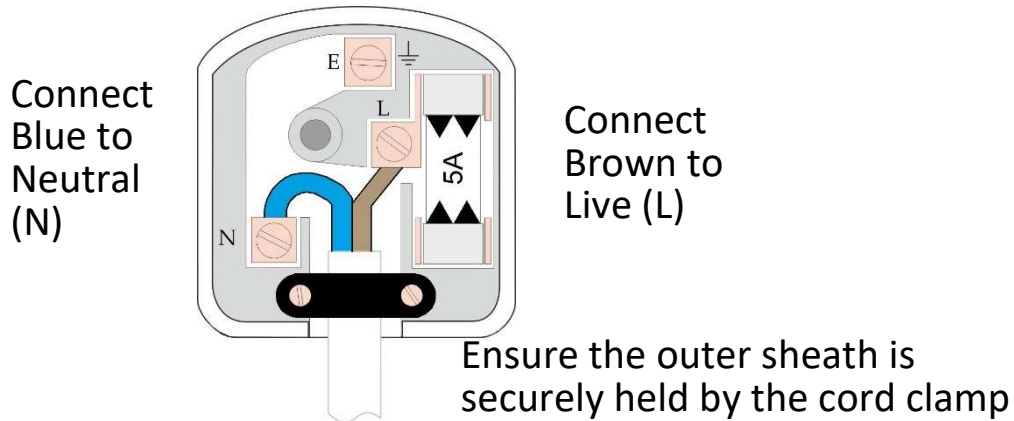
Troubleshooting Guide

Problem	Possible Cause	Possible Solution
Unit fails to turn on.	The unit may not be properly plugged in.	Ensure the plug is fully inserted into the socket and the socket is switched on.
	The fuse in the plug may have blown	Check fuse by substitution.
	The fuse/circuit breaker may have tripped.	Check the fuse/circuit breaker on the mains board, if it has tripped, reset it.
	On/Off Switch (4) is in the off (O) position.	Press the On/Off Switch (4) to the 'I' position.
Low suction or poor pick-up.	Dust Compartment is full.	Empty the Dust Compartment.
	Filters are clogged.	Check and clean the filter.
The vacuum is making a "hissing" sound.	The airflow is restricted	Empty the Dust Compartment. Check and clean the filter. Check and clear any blockages if necessary.

Fitting a new plug

This appliance is fitted with a fused three-pin 13 amp plug to BS 1363. If the plug has to be removed, it should be cut off and carefully disposed of immediately. To avoid a possible shock hazard, do not insert the discarded plug into a mains socket.

The mains lead must be connected as shown below. The wires are coloured with the following code - Brown wire = Live (L), Blue wire = Neutral (N). **NB** no connection must be made to the Earth terminal pin (E) under any circumstances.



- The Blue wire must be connected to the terminal marked N or coloured Black.
- The Brown wire must be connected to the terminal marked L or coloured Red.
- Check that there are no cut or stray strands of wire inside the plug.
- Use a 5 Amp BS 1362 fuse, only use BSI or ASTA approved fuses.
- If you are in any way unsure which plug or fuse to use, always refer to a qualified electrician.

Technical Specification

Rated Voltage	220-240V AC ~
Rated Frequency	50-60Hz
Rated Power	600W
Tank Capacity	6 Litres
Vacuum Pressure	>16kpa
Model Number	FLR00157
Power consumption of equipment in Off Mode shall not exceed 0,30W	0,00W
This Equipment complies with Annex III of the Commission Regulation (EU) 2023/826	

Recycling Information

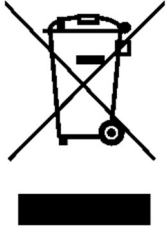
Disposal of the Packaging

Dispose of paper and cardboard in appropriate paper re-cycling facilities.

Dispose of recyclable plastics in appropriate plastic re-cycling facilities.

Dispose of non-recyclable plastics in the appropriate plastics collection service

Disposal of the Product



You should now recycle your waste electrical goods and in doing so help the environment. This symbol means waste electrical products at the end of their useful life should not be disposed of with normal household waste and not sent to landfill. Please ensure it is taken to a suitable facility for disposal. Check with your Local Authority or retailer for recycling advice or visit www.recycle-more.co.uk or www.weeeireland.ie, to find your nearest recycling point.

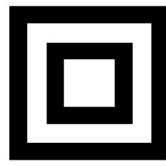
NOTES

NOTES

Customer Support

Should you require any product information, replacement parts or accessories, please contact our customer care team on 0161 831 7879 (8.30am-4.30pm Monday to Thursday, 8.00am-4.00pm Friday) and select option 3 or by contacting us via email: help@daewooelectricals.com.

- Replacement parts and accessories are guaranteed for 1 year from the date of purchase.
- It is important to note that your warranty becomes invalid should non Daewoo parts or accessories be used with this appliance.

**UK
CA**



DAEWOO®

WARRANTY

Thank you for purchasing your Daewoo Vacuum.

As part of our commitment to quality, we are offering you an extra 2 years warranty in addition to your 1 year guarantee

Your Daewoo vacuum product is guaranteed for 1 year from the date of original purchase, with proof of purchase or receipt. If any defect should occur due to faulty workmanship or material, your faulty vacuum should be returned to the place of purchase, replacement or refund is at the discretion of the retailer.

The guarantee is subject to the following provisions:

- The product must be correctly installed and operated in accordance with the requirements contained in the instruction manual.
- The product must be used solely for domestic purposes.
- It does not cover general wear and tear, damage, misuse or any consumable parts.
- The guarantee will be rendered invalid if the product is re-sold or has been damaged through inexpert repair.
- The guarantee is only valid within the UK and Eire.

Your standard 1 year guarantee will only be extended to the maximum available for your individual product upon registration. (Note: products must be registered individually and covers the main body and housing). If you do not register your product within 28 days of the original purchase date, your product will only be guaranteed for 1 year.

To validate your extended 2 year warranty* please register your purchase online within 28 days of the original purchase date by registering at:

<https://help.daewooelectricals.com>

or

[Contact Us \(daewooelectricals.com\)](https://www.daewooelectricals.com)

***Your extended warranty is only valid with proof of purchase receipt and subject to the conditions outlined above.**

Daewoo is a registered trademark.
Produced and imported under licence by
Eurosonic Group Limited
Brightgate House
1 Brightgate Way
Manchester M32 0TB UK
EU Rep: EuroSonic Magppie (ESM) Ltd. Ireland D05 X006
www.esg ltd.com