



2L DEHUMIDIFIER

*Please refer to the warranty section for terms of your extended guarantee



READING AND STORING THE USER MANUAL



Before using this product, please read through this manual carefully paying particular attention to the safety instructions. Failure to do so may result in personal injury or damage to the product.

Carefully save this instruction manual for future reference. Ensure the user manual is included when passing the product on to any third parties.

IMPORTANT SAFETY INSTRUCTIONS FOR PROPER USE

When using electrical appliances, basic safety precautions should always be followed.

Only use the product as described in this user manual. Any other use is considered improper and may result in damage to property or persons. The manufacturer or vendor cannot be held liable for damages or injury incurred through improper or incorrect use.

- **Read and familiarise yourself with all operating instructions before using this Dehumidifier.**
- Before using your unit into the mains, visually check that the unit is intact and has not suffered any transit damage.
- Check that the voltage indicated on the data plate corresponds with that of the local network before connecting the appliance to the mains power supply.
- Always use this appliance on a solid, level, non-flammable surface.
- The Dehumidifier shall not be exposed to dripping or splashing and that no objects filled with liquids, such as vases, shall be placed on the apparatus.
- **DO NOT** immerse the Dehumidifier or its power cord in water or any other liquids.
- **DO NOT** leave the Dehumidifier unattended during use.
- **DO NOT** leave the Dehumidifier unattended whilst connected to a mains power supply.
- Avoid touching any moving parts within the appliance.
- **DO NOT** insert fingers, pencils or any other objects through the guard.

- **DO NOT** push objects into any openings as damage to the product and/or electric shock may occur.
- This appliance can be used by children aged from 8 years and above and persons with reduced physical, sensory or mental capabilities or lack of experience and knowledge if they have been given supervision or instruction concerning use of the appliance in a safe way and understand the hazards involved. Children shall not play with the appliance. Cleaning and user maintenance shall not be made by children without supervision.
- Children of less than 3 years should be kept away unless continuously supervised.
- Close supervision is required when using this Dehumidifier near children.
- **DO NOT** leave this Dehumidifier within reach of children.
- It is imperative to unplug from mains supply after the Dehumidifier has been used, before it is cleaned and whilst being repaired.
- Unplug after each use.
- **DO NOT** operate this appliance if the power cord or plug are damaged. Ensure that the power cord is not stretched or exposed to sharp objects or edges.
- **DO NOT** operate this appliance after a malfunction or after being dropped or damaged in any way.
- **DO NOT** allow the mains cable to hang over sharp edges or come in contact with hot surfaces.
- **DO NOT** run the mains cable under carpets, rugs, etc.
- Individuals who operate or work in the refrigerant circuit must have the appropriate certification issued by an accredited organization that ensure competence in handling refrigerants according to a specific evaluation recognized by associations in the industry.
- This product is intended for household use only and should not be used for industrial purposes.
- **DO NOT** connect the appliance to an electrical outlet

using an extension lead. If an outlet is not available, one should be installed by a qualified electrician.

- **DO NOT** use the mains plug or external timer as a means of switching the Dehumidifier on or off. Use the ON/OFF button located on the unit.
- Always place the unit on a dry and stable surface.
- The appliance should not be placed in a laundry or wet room.
- **DO NOT** position the Dehumidifier close to sources of heat and/or ignition such as radiators, heaters, other electronic equipment, etc.
- No naked flame sources, such as lighted candles, should be placed on the Dehumidifier.
- The appliance must be stored in such a way as to prevent mechanical failure.
- **DO NOT** use any accessories or attachments with this product other than those supplied or recommended by supplier.
- **DO NOT** use this product for anything other than its intended use.

Explanation of Symbols

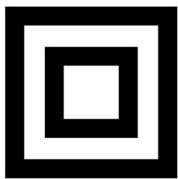
The following warning symbols or words are used in this instruction manual:



Products labelled with UK Conformity Assessment identifies products conforming to UK statutory requirements.



Products labelled with this symbol conform to applicable provisions of the European Economic Area.



This Class 2 symbol indicates that the product is electrically double insulated and does not require an earth connection.



This symbol provides useful additional information on the use of this product.



This symbol identifies that the supply uses an alternating current mains supply.

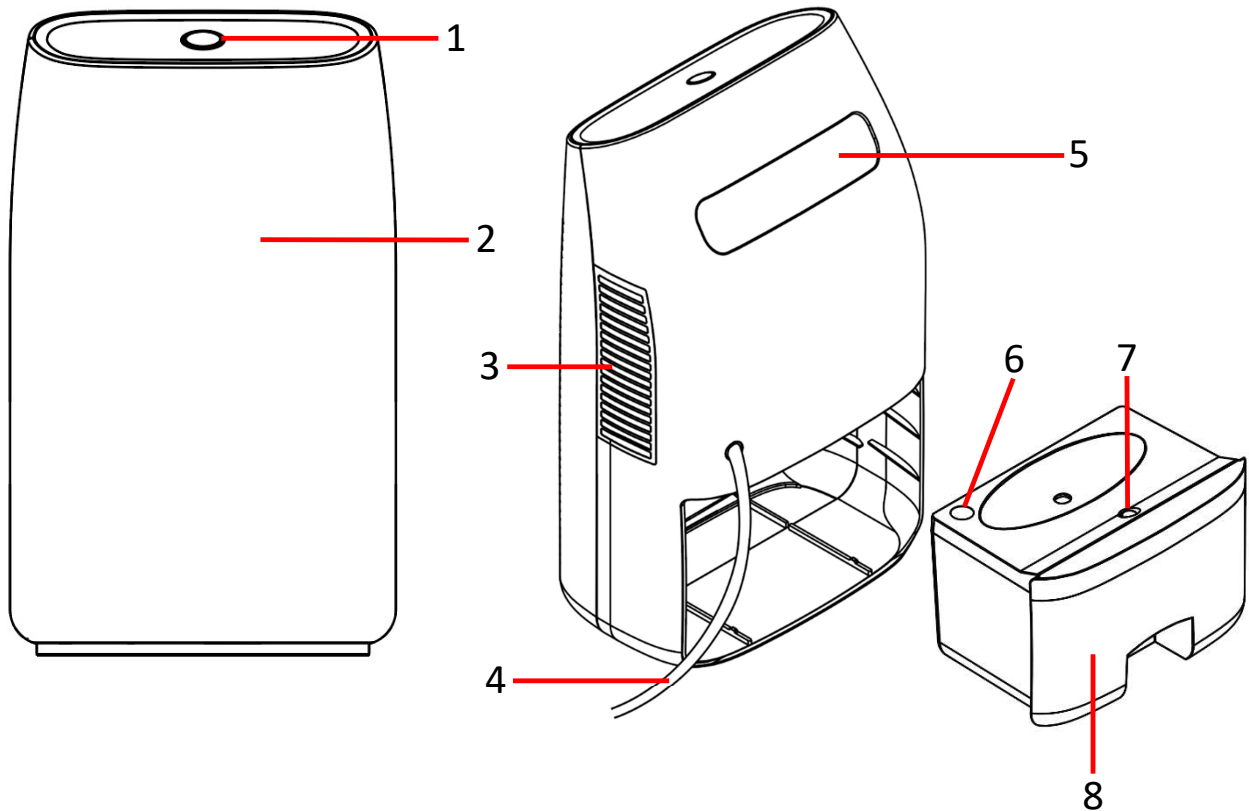


You should now recycle your waste electrical goods and in doing so help the environment. This symbol means waste electrical products at the end of their useful life should not be disposed of with normal household waste and not sent to landfill. Please ensure it is taken to a suitable facility for disposal. Check with your Local Authority or retailer for recycling advice or visit www.recycle-more.co.uk, enter your postcode to find out your nearest recycling site.

Before First Use of Your Dehumidifier

Remove all packing materials and discard responsibly.

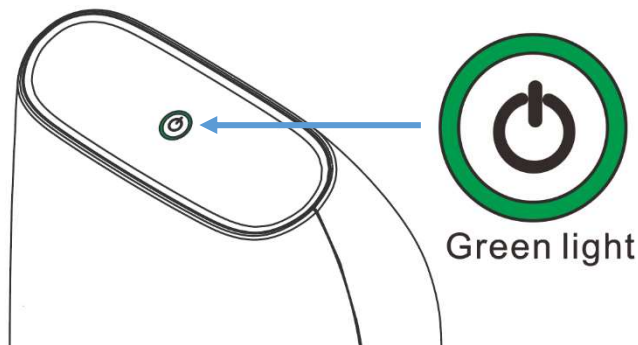
Ensure all parts are present (if applicable) see **Description of Parts** below.

Description of Parts

1. ON/OFF Button
2. Air Inlet
3. Air Outlet
4. Mains Cable
5. Handle
6. Water Outlet
7. Hydraulic Cut-Off
8. Water Tank

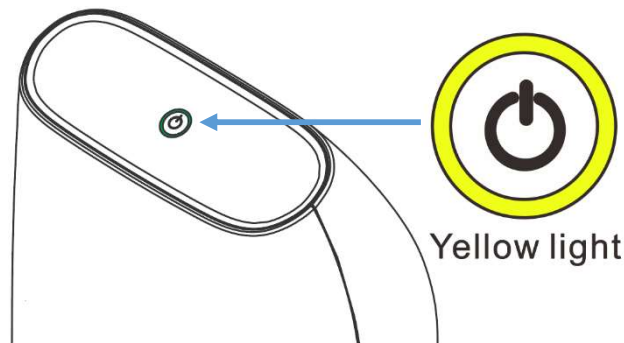
Using Your Dehumidifier

1. Insert the Mains plug into the nearest socket.
2. Press the **ON/OFF Button** (1), the green light will illuminate as shown below and the dehumidifier will begin to operate with air blowing from the **Air Outlet** (3).



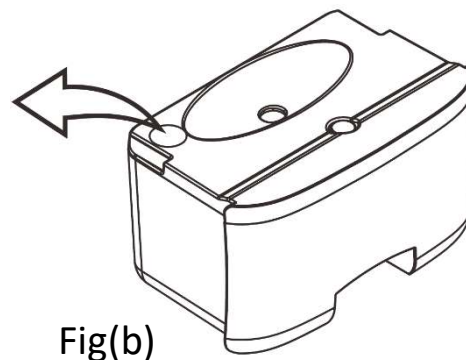
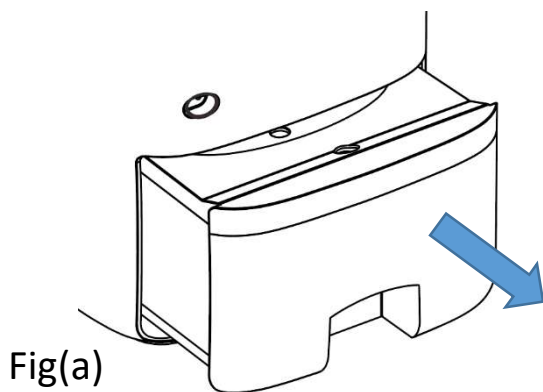
Water Tank

When the **Water Tank** (8) is full, the yellow light will illuminate as shown below and the dehumidifier will switch off automatically.



To remove the **Water Tank** (8):

1. Grasp the handle at the bottom and pull the tank away from the body of the unit as shown in Fig(a) below.
2. Pull the rubber bung out from the **Water Outlet** (6) and pour away the water as shown in Fig(b) below.
3. Replace the bung and push the water tank back fully into the body.



Storage

Whilst not in use for long periods ensure that you:

1. Empty the water tank and wipe away any excess moisture from the tank and body.
2. Place the appliance in a cool, dry environment away from direct sunlight.

Care and Use of Your Dehumidifier

- Always disconnect the Dehumidifier from the mains supply before cleaning.
- Clean the water tank with warm soapy water, do not use harsh abrasive chemicals.
- Clean the body of the unit with a soft damp cloth.
- Dry thoroughly before refitting to the unit.

Technical Specification

Model Number	COL1382
Rated Voltage	100-240V~ 50/60Hz
Rated Power	40W
Water Tank Capacity	2L
Protection Class	II
Operating Parameters	10°C-50°C, over 80% RH
Maximum power consumption in standby mode	≤ 0.50W

Non-Rewireable Mains Plug

If your appliance is supplied with a non-rewireable plug fitted to the mains lead and should the fuse needed replacing, you must use an ASTA approved one (conforming to BS 1362 of the same rating). Never use a plug with the fuse cover missing. If in doubt, consult a qualified electrician.

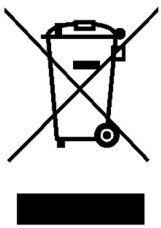
If you need to remove the plug -**DISCONNECT FROM THE MAINS**- and then cut it off the mains lead and immediately dispose of it safely. Never attempt to reuse the plug or insert it into a socket outlet as there is a danger of electric shock.

Recycling Information

Disposal of the Packaging

Dispose of paper and cardboard in appropriate paper re-cycling facilities.
Dispose of plastics in the appropriate plastics collection service.
Dispose of non-recyclable plastics in the appropriate plastics collection service.

Disposal of the Product



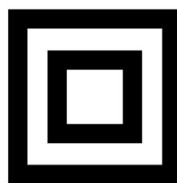
You should now recycle your waste electrical goods and in doing so help the environment. This symbol means waste electrical products at the end of their useful life should not be disposed of with normal household waste and not sent to landfill. Please ensure it is taken to a suitable facility for disposal. Check with your Local Authority or retailer for recycling advice or visit www.recycle-more.co.uk or www.weeeireland.ie, enter your postcode to find out your nearest recycling site.

Customer Support

Should you require any product information, replacement parts or accessories, please contact our customer care team on 0161 831 7879 (8.30am-4.30pm Monday to Thursday, 8.00am-4.00pm Friday) and select option 3 or by contacting us via email: help@daewooelectricals.com.

- Replacement parts and accessories are guaranteed for 1 year from the date of purchase.
- It is important to note that your warranty becomes invalid should non Daewoo parts or accessories be used with this appliance.

UK
CA





DAEWOO®

WARRANTY

Thank you for purchasing your Daewoo product.

As part of our commitment to quality, we are offering you an extra 2 years warranty in addition to your 1 year guarantee

Your Daewoo product is guaranteed for 1 year from the date of original purchase, with proof of purchase or receipt. If any defect should occur due to faulty workmanship or material, your faulty product should be returned to the place of purchase, replacement or refund is at the discretion of the retailer.

The guarantee is subject to the following provisions:

- The product must be correctly installed and operated in accordance with the requirements contained in the instruction manual.
- The product must be used solely for domestic purposes.
- It does not cover general wear and tear, damage, misuse or any consumable parts.
- The guarantee will be rendered invalid if the product is re-sold or has been damaged through inexpert repair.
- The guarantee is only valid within the UK and Eire.

Your standard 1 year guarantee will only be extended to the maximum available for your individual product upon registration. (Note: products must be registered individually and covers the main body and housing). If you do not register your product within 28 days of the original purchase date, your product will only be guaranteed for 1 year.

To validate your extended 2 year warranty* please register your purchase online within 28 days of the original purchase date by registering at:

<https://help.daewooelectricals.com>

OR

[Contact Us \(daewooelectricals.com\)](https://www.daewooelectricals.com)

****Your extended warranty is only valid with proof of purchase receipt and subject to the conditions outlined above.***

Daewoo® is a registered trademark.
Produced and imported under licence by
Eurosonic Group Limited
Brightgate House
1 Brightgate Way
Manchester M32 0TB UK
EU Rep: EuroSonic Magppie (ESM) Ltd. Ireland D05 X006
www.esgltd.com